

CAT. No.

888-3138-NS

IEC 60309 (6h) 30 AMPERE 250 VOLT (C(UL)US), 32 AMPERE 220 VOLT (OVE), SPLASHPROOF (IP44) IN-LINE PIN & SLEEVE CONNECTOR, "UNIVERSAL APPROVALS", 2 POLE-3 WIRE GROUNDING (2P+E), COMPRESSION STRAIN RELIEF, NYLON (POLYAMIDE BODY), OPERATING TEMP. = -25°C TO +80°C. BLUE.

APPROVALS	C(UL)US <input checked="" type="checkbox"/>	OVE <input checked="" type="checkbox"/>			
CERTIFICATIONS	REACH <input checked="" type="checkbox"/>	ROHS <input checked="" type="checkbox"/>	ROHS2 <input checked="" type="checkbox"/>	ROHS3 <input checked="" type="checkbox"/>	CE <input checked="" type="checkbox"/>
STANDARDS	IEC 60309 (6h) <input checked="" type="checkbox"/>	BS 4343 <input checked="" type="checkbox"/>	DIN 49462/63 <input checked="" type="checkbox"/>	CEE 17 <input checked="" type="checkbox"/>	EN 60309 <input checked="" type="checkbox"/>

MAXIMUM JACKET O.D. ACCEPTED BY EXTERNAL STRAIN RELIEF = 20 DIA (0.787")  
 MAXIMUM JACKET O.D. ACCEPTED BY INTERNAL STRAIN RELIEF = 20 DIA (0.787")  
 MAXIMUM CONDUCTOR SIZE ACCEPTED BY TERMINALS = 4.0mm<sup>2</sup> (10 AWG)

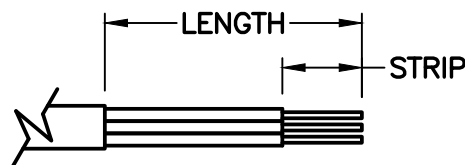
ALL DIMENSIONS ARE IN MILLIMETERS

EUROPEAN CORDAGE PREPARATION

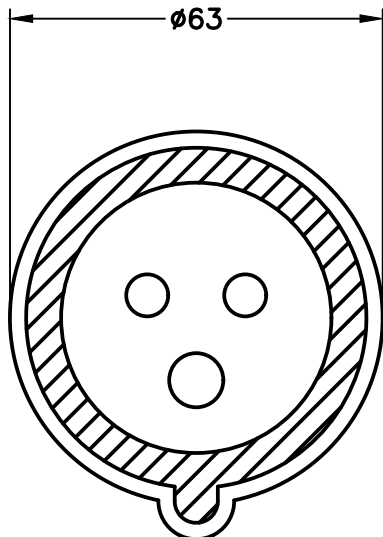
CONDUCTOR INSULATION COLOR	CONDUCTOR COLOR CODE	"LENGTH"	"STRIP"
GREEN/YELLOW	GROUND	35	16
BLUE	NEUTRAL	35	10
BROWN	LINE	35	10

NORTH AMERICAN CORDAGE PREPARATION

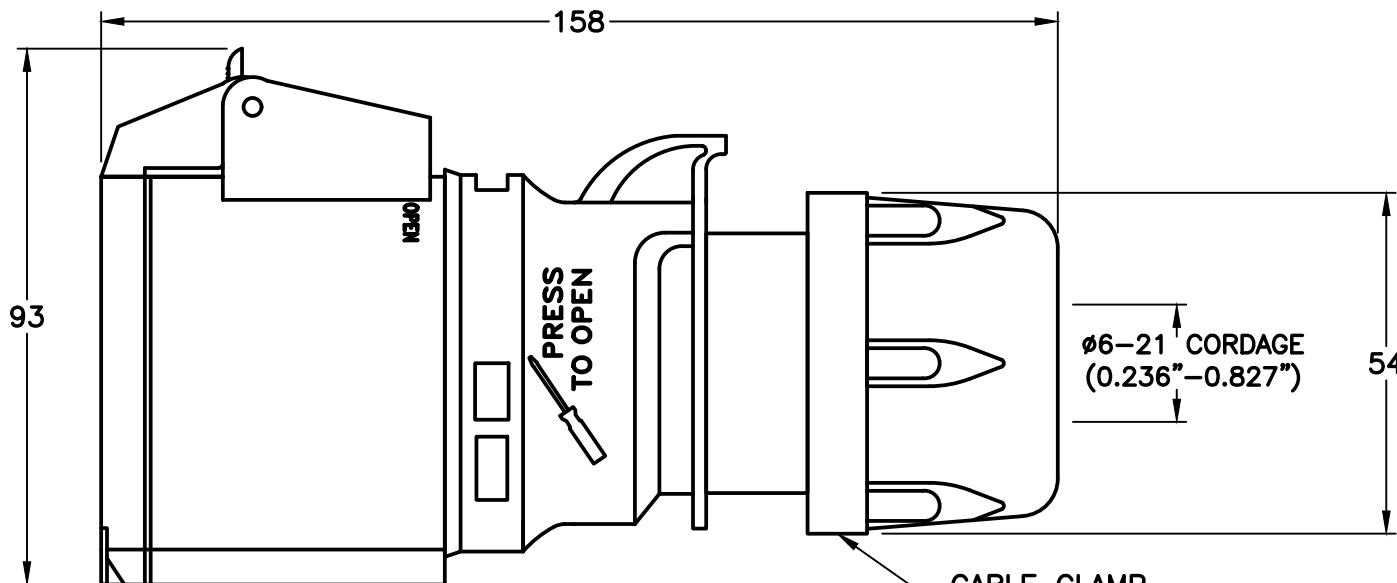
CONDUCTOR INSULATION COLOR	CONDUCTOR COLOR CODE	"LENGTH"	"STRIP"
GREEN	GROUND	35	16
WHITE	LINE	35	10
BLACK	LINE	35	10



CORDAGE PREPARATION



IEC 60309 (6h)



CABLE CLAMP  
TORQUE (Ncm) 600

International Configurations, Inc. 210 Moody Rd., Enfield, Connecticut 06082 Tel: (860)749-6380 Fax: (860)749-2985

www.InternationalConfig.com

sales@internationalconfig.com

Copyright 2021 International Configurations, Inc. All Rights Reserved ©