

CAT. No.

57701

IEC 60320 C-8 POWER INLET, 2.5 AMPERE 250 VOLT, 2 POLE-2 WIRE GROUNDING, 1.5 x 2.3 mm (0.059" x 0.091") SOLDER TERMINALS, SCREW MOUNT FRONT OR REAR, BLACK.

| | | | | | | |
|----------------|---|---|--|---|--|--|
| APPROVALS | UR <input checked="" type="checkbox"/> | ENEC 16 <input checked="" type="checkbox"/> | CSA <input checked="" type="checkbox"/> | CCC <input checked="" type="checkbox"/> | UL <input checked="" type="checkbox"/> | |
| CERTIFICATIONS | REACH <input checked="" type="checkbox"/> | ROHS <input checked="" type="checkbox"/> | ROHS2 (2011/65/EU) <input checked="" type="checkbox"/> | ROHS3 (2015/863, 2017/2012) <input checked="" type="checkbox"/> | CHINA ROHS <input checked="" type="checkbox"/> | CE <input checked="" type="checkbox"/> |
| STANDARDS | IEC 60320 C-8 <input checked="" type="checkbox"/> | IEC 60320-1 <input checked="" type="checkbox"/> | UL 498 <input checked="" type="checkbox"/> | CSA C22.2 No. 42 <input checked="" type="checkbox"/> | | |

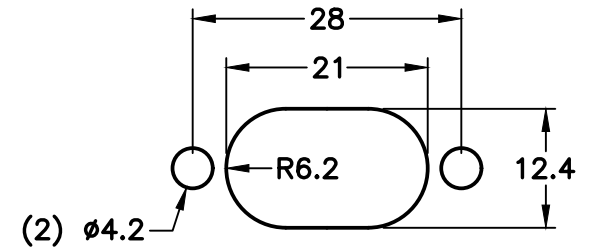
DESCRIPTION:

PANEL MOUNT: SCREW ON MOUNTING FROM REAR SIDE
APPLIANCE INLET, PIN TEMPERATURE 70°C, PROTECTION CLASS II

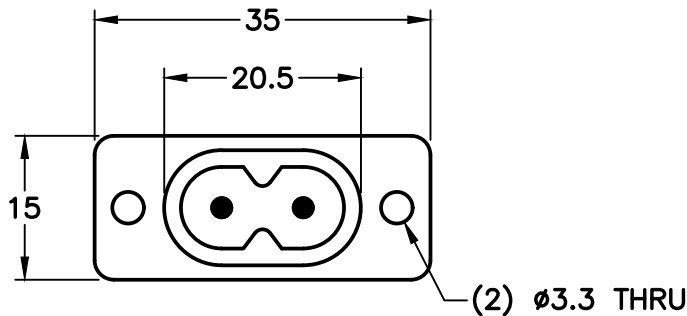
ALL DIMENSIONS ARE IN MILLIMETERS

TECHNICAL DATA:

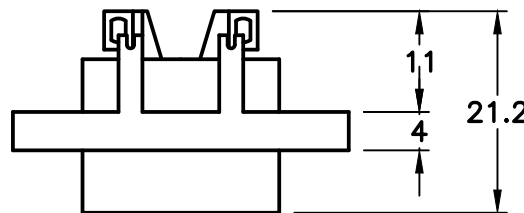
RATINGS IEC 2.5A/250VAC; 50HZ
RATINGS UL/CSA 2.5A/250VAC; 60HZ
DIELECTRIC STRENGTH: >2KVAC BETWEEN L-N
(1MIN/50HZ)
ALLOWABLE OPERATION TEMP: -25°C TO +70°C
DEGREE OF PROTECTION: FROM REAR SIDE IP40 ACC. TO IEC 60529
PROTECTION CLASS: SUITABLE FOR APPLIANCES WITH PROTECTION
CLASS II ACC TO IEC 61140
MATERIAL, HOUSING: THERMOPLASTIC, BLACK, UL 94V-0



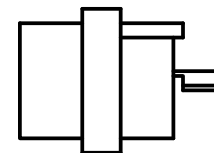
MOUNTING DIMENSIONS



IEC 60320 C-8 FRONT VIEW



TOP VIEW



SIDE VIEW