

CAT. No.

L630-C

30 AMPERE 250 VOLT (NEMA L6-30R) LOCKING CONNECTOR, SPECIFICATION GRADE, IMPACT RESISTANT NYLON BODY, CABLE DUST / MOISTURE SHIELD (IP20), 2 POLE-3 WIRE GROUNDING (2P+E). BLACK / GRAY. NOTE: TERMINALS ACCEPT 14/3, 12/3, 10/3 AWG SIZE CONDUCTORS. STRAIN RELIEF (CORD GRIP RANGE) = 0.375-1.156" DIA., TEMP. RANGE = -40°C TO +75°C.

APPROVALS

C(UL)US UL FILE #E474924 PSE

CERTIFICATIONS

UL CSA ROHS

STANDARDS

UL 498 CSA C22.2 No. 42-10 (R2015) NEMA L6-30R ANSI C73.76 ANSI/NEMA WD-6



MIN.-MAX. JACKET O.D. ACCEPTED BY EXTERNAL STRAIN RELIEF= 0.375-1.156"
 MIN.-MAX. CONDUCTOR SIZE ACCEPTED BY TERMINALS = 12-8 AWG
 TORQUE VALUES: TERMINALS 14-20 IN-LBS, STRAIN RELIEF 10-12 IN-LBS

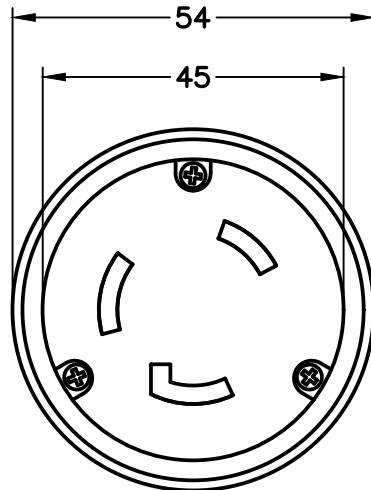
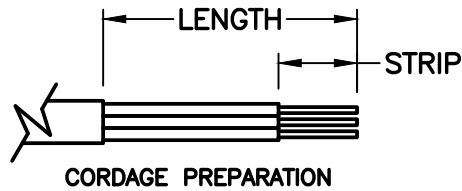
ALL DIMENSIONS ARE IN MILLIMETERS

CORDAGE PREPARATION

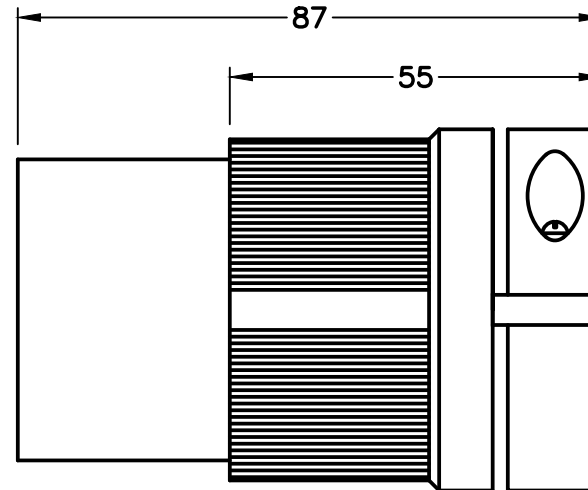
CONDUCTOR INSULATION COLOR	CONDUCTOR COLOR CODE	"LENGTH"	"STRIP"
GREEN	GROUND	51	16
WHITE	LINE	51	16
BLACK	LINE	51	16

RELATED NEMA L6-30 PRODUCTS:

CATALOG No	DESCRIPTION
L630-P	PLUG
L630-R	OUTLET
L630-FI	FLANGED INLET
L630-FO	FLANGED OUTLET
94960	POWER CORD, STRIPPED ENDS



NEMA L6-30 CONNECTOR FRONT VIEW



SIDE VIEW