

CAT. No.

L620-C

20 AMPERE 250 VOLT (NEMA L6-20R) LOCKING CONNECTOR, SPECIFICATION GRADE, IMPACT RESISTANT NYLON BODY, CABLE DUST / MOISTURE SHIELD (IP20), 2 POLE-3 WIRE GROUNDING (2P+E). BLACK / GRAY. NOTE: TERMINALS ACCEPT 14/3, 12/3, 10/3 AWG SIZE CONDUCTORS. STRAIN RELIEF (CORD GRIP RANGE) = 0.375-1.156" DIA., TEMP. RANGE = -40°C TO +75°C.

APPROVALS

C(UL)US

UL FILE #E474924

CERTIFICATIONS

UL CSA ROHS

STANDARDS

UL 498 CSA C22.2 No. 42-10 (R2015) NEMA L6-20R ANSI C73.75



MIN.-MAX. JACKET O.D. ACCEPTED BY EXTERNAL STRAIN RELIEF= 0.375-1.156"
 MIN.-MAX. CONDUCTOR SIZE ACCEPTED BY TERMINALS = 14-10 AWG
 TORQUE VALUES: TERMINALS 14-20 IN-LBS, STRAIN RELIEF 10-12 IN-LBS

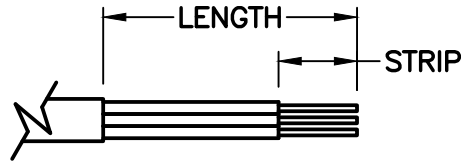
ALL DIMENSIONS ARE IN MILLIMETERS

RELATED NEMA L6-20 PRODUCTS:

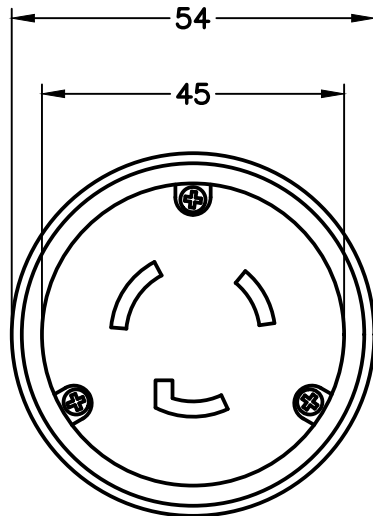
CATALOG No	DESCRIPTION
L620-P	PLUG
L620-R	OUTLET
L620-FI	FLANGED INLET
L620-FO	FLANGED OUTLET
93900	POWER CORD, C-13 CONNECTOR
90950	POWER CORD, C-19 CONNECTOR
94940	POWER CORD, STRIPPED ENDS

CORDAGE PREPARATION

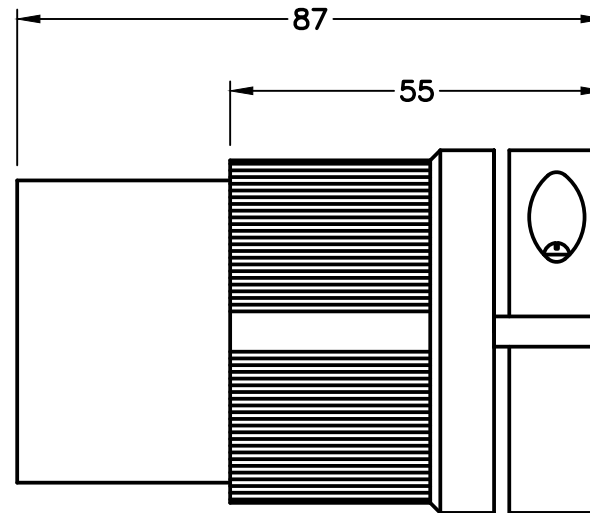
CONDUCTOR INSULATION COLOR	CONDUCTOR COLOR CODE	"LENGTH"	"STRIP"
GREEN	GROUND	51	16
WHITE	LINE	51	16
BLACK	LINE	51	16



CORDAGE PREPARATION



NEMA L6-20 CONNECTOR
FRONT VIEW



SIDE VIEW

International Configurations, Inc. 210 Moody Rd., Enfield, Connecticut 06082 Tel: (860)749-6380 Fax: (860)749-2985

www.InternationalConfig.com sales@internationalconfig.com

Copyright 2021 International Configurations, Inc. All Rights Reserved ©