

CAT. No.

85460-LB

BRAZIL 20 AMPERE 250 VOLT NBR 14136 (BR3-20R), SOUTH AFRICA 16 AMPERE 250 VOLT (SANS 164-2) IN-LINE CONNECTOR, TYPE N, 2 POLE-3 WIRE GROUNDING (2P+E), CORD GRIP = 0.275-0.450", NYLON. BLACK. INMETRO APPROVED. UC-OCP-0004 CERTIFIED.

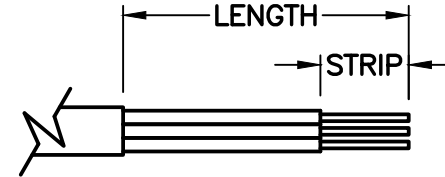
APPROVALS	INMETRO <input checked="" type="checkbox"/>
CERTIFICATIONS	UC-OCP-0004 <input checked="" type="checkbox"/>
STANDARDS	NBR 14136 <input checked="" type="checkbox"/>

ALL DIMENSIONS ARE IN MILLIMETERS

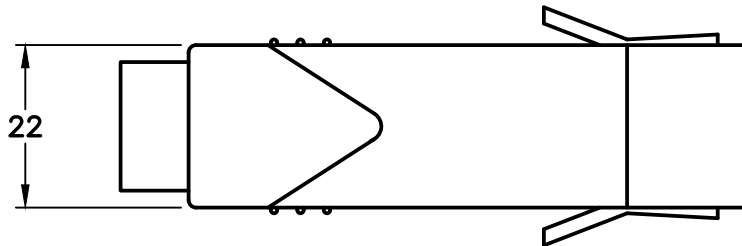
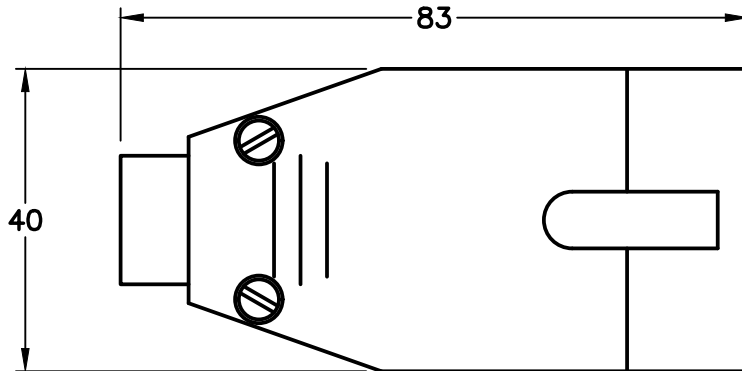
MAXIMUM JACKET O.D. ACCEPTED BY EXTERNAL STRAIN RELIEF = 11 DIA (0.450")  
 MAXIMUM JACKET O.D. ACCEPTED BY INTERNAL STRAIN RELIEF = 11 DIA (0.450")  
 MAXIMUM CONDUCTOR SIZE ACCEPTED BY TERMINALS = 2.5 mm<sup>2</sup> (14 AWG)

**CORDAGE PREPARATION**

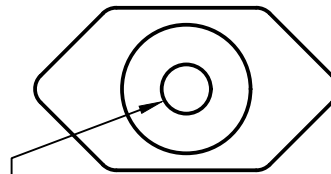
CONDUCTOR INSULATION COLOR	CONDUCTOR COLOR CODE	"LENGTH"	"STRIP"
GREEN/YELLOW	GROUND	43	7
BLUE	NEUTRAL	33	7
BROWN	LINE	33	7



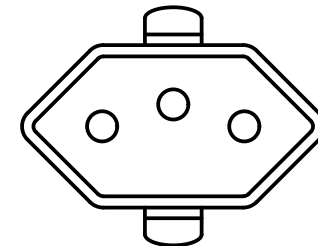
CORDAGE PREPARATION



NOTE: REAM/DRILL CORD ENTRY FOR LARGE DIAMETER CORDS



EXISTING CORD OPENING =  $\phi 6.5$   
 MAXIMUM CORD OPENING =  $\phi 11.25$



**BR3-20R**