

CAT. No.

5269-XHG

15 AMPERE 125 VOLT HOSPITAL GRADE CONNECTOR, GREEN DOT NEMA 5-15R, POWER CORD DUST / MOISTURE SHIELD, IMPACT RESISTANT NYLON BODY, 2 POLE-3 WIRE GROUNDING (2P+E), TERMINALS ACCEPTS 10/3, 12/3, 14/3, 16/3, 18/3 AWG CONDUCTORS, CORD GRIP = 0.300-0.655", BLACK/WHITE.

APPROVALS

C(UL)US F(UL)S

STANDARDS

UL 498 CSA C22.2 No 42 WC-596-G NEMA 5-15R ANSI C73.11 ANSI/NEMA WD-6

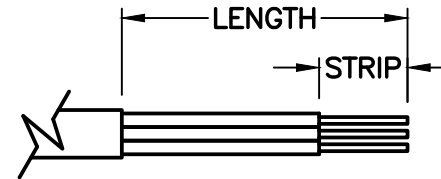
NOTE: SCREW TORQUE: TERMINAL SCREWS = 12 IN. LBS,
STRAIN RELIEF / ASSEMBLY SCREWS = 8-10 IN. LBS.

ALL DIMENSIONS ARE IN MILLIMETERS

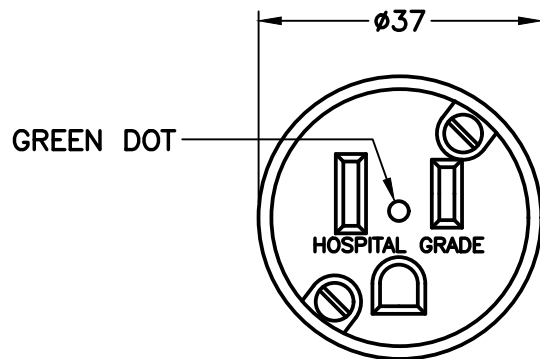
MAXIMUM JACKET O.D. ACCEPTED BY INTERNAL STRAIN RELIEF=16 (0.300-0.655")
MAXIMUM CONDUCTOR SIZE ACCEPTED BY TERMINALS = 4.0 (18-12 AWG)

CORDAGE PREPARATION

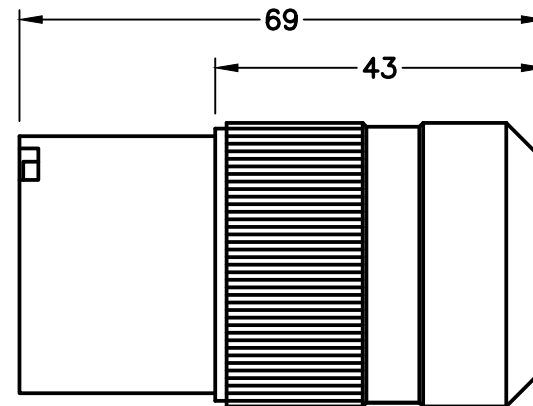
CONDUCTOR INSULATION COLOR	CONDUCTOR COLOR CODE	"LENGTH"	"STRIP"
GREEN/YELLOW	GROUND	29	14
BLUE	NEUTRAL	29	14
BROWN	LINE	29	14



CORDAGE PREPARATION



FRONT VIEW



SIDE VIEW

International Configurations, Inc. 210 Moody Rd., Enfield, Connecticut 06082 Tel: (860)749-6380 Fax: (860)749-2985

www.InternationalConfig.com

sales@internationalconfig.com

Copyright 2021 International Configurations, Inc. All Rights Reserved ©