

# EUROPEAN / INTERNATIONAL / WORLDWIDE *WATERTIGHT, SPLASHPROOF RECEPTACLES*



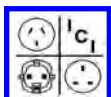
**GERMAN SCHUKO CEE 7/4, CEE 7/5 IP44, IP54, IP68 PANEL / BOX MOUNT OUTLETS**

**UNITED KINGDOM, UK, BRITISH BS1363A, IP54 PANEL / BOX MOUNT SOCKETS**

**AUSTRALIA, NEW ZEALAND AS/NZS 3112 IP44 PANEL / BOX MOUNT RECEPTACLES**

**AMERICAN NEMA 5-15R UL/CSA LISTED IP44 POWER OUTLETS, RECEPTACLES**

**FRENCH, SWISS, DENMARK, BRAZIL, ARGENTINA DIN RAIL BOX MOUNTED OUTLETS**



# SPLASHPROOF IP44 / IP54 RECEPTACLES 2 POLE 3 WIRE GROUNDING, WITH GASKET

E-mail: [sales@internationalconfig.com](mailto:sales@internationalconfig.com)

Web site: [www.internationalconfig.com](http://www.internationalconfig.com)

Receptacles Weatherproof Rated  
IP20 lid open, IP44 or IP54 closed

## MOUNTING WALL PLATES, BOXES AND ACCESSORIES

Dimensional Data, Approval Information Available at [www.internationalconfig.com](http://www.internationalconfig.com)



**70120**  
European CEE 7/4  
Schuko Power Socket



**70020**  
North American  
NEMA 5-15 Power Socket



**72120-BLK**  
United Kingdom  
BS1363 Power Socket



**76120**  
Switzerland  
SEV 1011 Power Socket



**74120-PFS**  
Australia / New Zealand  
AS/NZS 3112 Power Socket

CATALOG NUMBER	RECEPTACLE CONFIGURATION	DESCRIPTION
70020	NEMA 5-15R	North America, American NEMA 5-15R Receptacle, 15A-125V, Gray IP54 Power Outlet
70020-BLK	NEMA 5-15R	North America, American NEMA 5-15R Receptacle, 15A-125V, Black IP54 Power Outlet
70120	EU1-16R	Europe, European Schuko CEE 7/4 Receptacle, 16A-250V, Gray IP54 Power Outlet
70120-BLK	EU1-16R	Europe, European Schuko CEE 7/4 Receptacle, 16A-250V, Black IP54 Power Outlet
70120-BLU	EU1-16R	Europe, European Schuko CEE 7/4 Receptacle, 16A-250V, Blue IP54 Power Outlet
70120-RED	EU1-16R	Europe, European Schuko CEE 7/4 Receptacle, 16A-250V, Red IP54 Power Outlet
70120-IP54 *	EU1-16R	Europe, European Schuko CEE 7/4 Receptacle, 16A-250V, Gray IP54 Power Outlet
70120-IP54BLK *	EU1-16R	Europe, European Schuko CEE 7/4 Receptacle, 16A-250V, Black IP54 Power Outlet
70120-IP54BLU *	EU1-16R	Europe, European Schuko CEE 7/4 Receptacle, 16A-250V, Blue IP54 Power Outlet
71120	FR1-16R	France, French, Belgium CEE 7/5 Receptacle, 16A-250V, Gray IP54 Power Outlet
72120-BLK	UK1-13R	United Kingdom, British UK BS1363A Receptacle, 13A-250V, Black IP54 Power Outlet
74120-PFS	AU1-10R	Australia, New Zealand AS/NZS 3112 Receptacle, 10A-250V, Black IP44 Power Outlet
75520	IT1-10R / IT2-16R	Italy, Italian CEI 23-16 / VII Receptacle, 10A-250V & 16A-250V, Blue IP54 Power Outlet
76120	SW1-10R	Switzerland, Swiss SEV 1011 Type 13 Receptacle, 10A-250V, Gray IP54 Power Outlet
76520	SW2-16R	Switzerland, Swiss SEV 1011 Type 23 Receptacle, 16A-250V, Gray IP54 Power Outlet
78120	DE1-13R	Denmark, Danish AFSNIT 107-2-D1 Receptacle, 16A-250V, Black IP54 Power Outlet
84270	AR1-10R	Argentina, Argentine IRAM 2073 Receptacle, 10A-250V, Blue IP54 Power Outlet
85220	BR2-10R	Brazil, Brazilian NBR 14136 Receptacle, 10A-250V, Blue IP54 Power Outlet

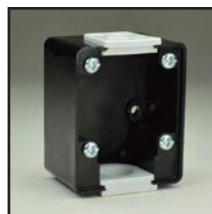
\* Maintains IP54 rating when mated with IP54 European Schuko CEE 7/7 Plug Part Number 70150-N  
\* 70120-IP54SR "Optional" Cable Strain Relief Clamp for: 70120-IP54, 70120-IP54BLK, 70120-IP54BLU. Use Clamp 70120-IP54SR if receptacles are exposed to vibration, movement and if installed on portable equipment.



**97120 & 97120-BZ**  
Stainless Steel Wall Plate.  
Mounts on 2X4 Wall Boxes.



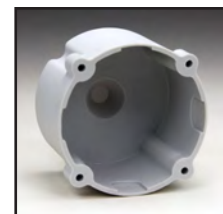
**97120-D**  
Stainless Steel Wall Plate.  
Mounts on 4X4 Wall Boxes.



**70125**  
Compact Weatherproof  
Surface Mount Wall Box.



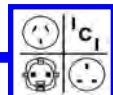
**70125-DIN**  
Din Rail Mounting Bracket.  
Mounts on Back of 70125.



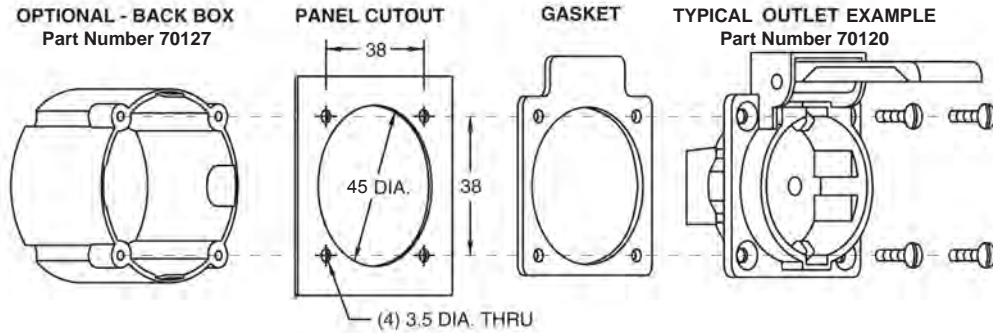
**70127**  
Panel Mount Outlet  
Terminal Shield Back Box.

**See Modular Device Outlet Section Pages 93-100 for additional weatherproof products.**

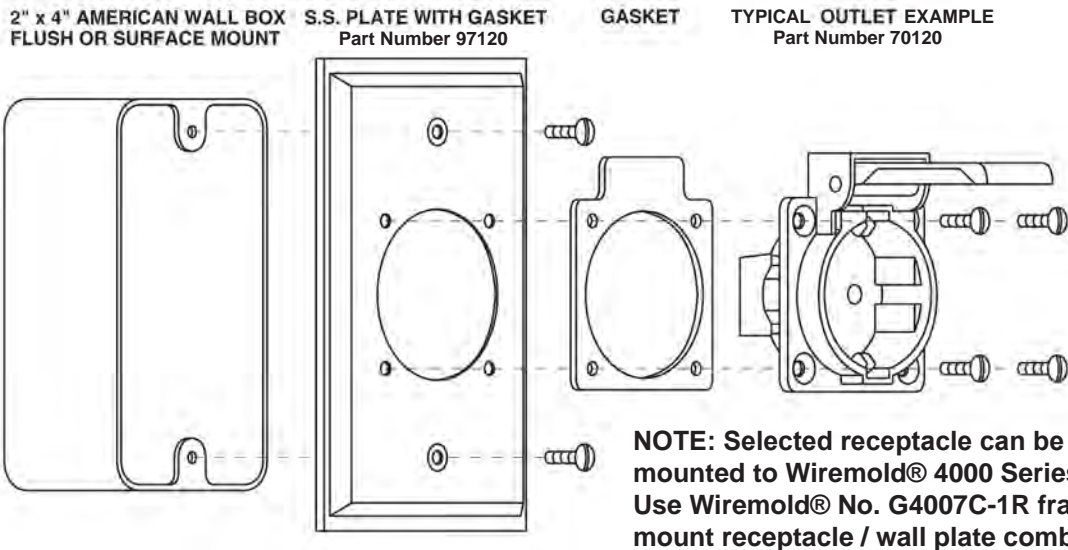
© 2014 International Configurations, Inc. Entire contents of this catalog copyrighted. [www.InternationalConfig.com](http://www.InternationalConfig.com)



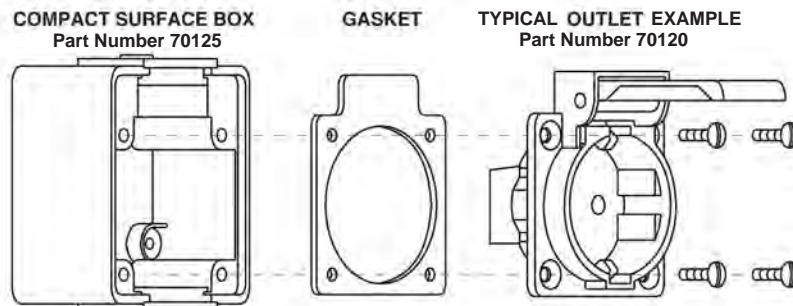
**PANEL MOUNTING**



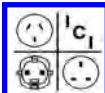
**FLUSH & SURFACE MOUNTING TO 2" x 4" WALL BOXES**



**SURFACE MOUNT TO COMPACT WALL BOX**



**See Modular Device Outlet Section Pages 93-100 for additional weatherproof products.**



## WATERTIGHT IP68 EUROPEAN SCHUKO DEVICES

### 2 Pole 3 Wire Grounding Power Outlets and Inlet

16 Ampere 250 Volt, CEE 7/4, DIN 49442 / 443, IP68 Rated

E-mail: [sales@internationalconfig.com](mailto:sales@internationalconfig.com)

Web site: [www.internationalconfig.com](http://www.internationalconfig.com)



70341



70361



70310



70300



70395



70325A

70341

European "SCHUKO" watertight plug with closure cover. Blue.

70361

European "SCHUKO" watertight connector with closure cover. Blue.

70310

European "SCHUKO" watertight single Receptacle. Blue. Screw mount large flange design with gasket.

70300

Same as receptacle No. 70310 except small flange design with gasket.

70395

European "SCHUKO" watertight inlet. Blue. Screw mount large flange design with gasket.

70325A

Surface mount wall box for receptacle No. 70310 or inlet No. 70395. Blue. Two cord inlet with strain relief.

70325

## WATERTIGHT IP68 FRANCE / BELGIUM DEVICES

### 2 Pole 3 Wire Grounding Power Outlets and Inlet

16 Ampere 250 Volt, CEE 7/5, IP68 Rated



70341-N



71175



71130



71125



70325



70325A

70341-N

France, Belgium, European "Schuko" watertight plug with closure cover. Blue.

71175

France, Belgium watertight connector with closure cover. Blue.

71130

France, Belgium watertight single receptacle. Blue. Screw mount large flange design with gasket.

71125

Same as receptacle No. 71130 except small flange design with gasket.

70325

Surface mount wall box for receptacle No. 71130. Blue. One cord inlet with strain relief.

70325A

Surface mount wall box for receptacle No. 71130. Blue. Two cord inlet with strain relief.

## SPLASHPROOF IP44, IP34 AUSTRALIAN / NEW ZEALAND DEVICES

### 2 Pole 3 Wire Grounding Australian Power Outlets and Inlet

10 Amp / 15 Amp / 20 Amp 250 Volt, AS / NZS 3112, IP44, IP34 Rated



74120

10 Amp Outlet  
IP44 Weatherproof



74520

15 Amp Outlet  
IP44 Weatherproof



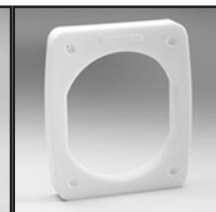
79410

10A, 15A, 20A  
Weatherproof Cover



74580-WP

15 Amp Inlet  
IP34 Weatherproof



74580-WPMB

Extension Block  
For 74580-WP

See Modular Device Outlet Section Pages 93-100 for additional weatherproof products.

© 2014 International Configurations, Inc. Entire contents of this catalog copyrighted. [www.InternationalConfig.com](http://www.InternationalConfig.com)

