
GLOSSARY, METRIC CONVERSION DATA, DIMENSIONAL DATA DRAWINGS, INDEX, TERMS AND CONDITIONS OF SALE

Glossary	Pages 212-215
Temperature and Metric Conversion Data	Page 216
AWG to Metric Conversion Chart	Page 217
Dimensional Data Drawings	Pages 218-262
Catalog Number Index	Pages 263-267
Terms and Conditions of Sale	Page 275



GLOSSARY

AFSNIT 107-2-01 The standard to which plugs and receptacles of the Danish configuration (DE1-10P and DE1-10R respectively) must be manufactured.

ANSI American National Standards Institute (ANSI) is a standards setting agency for the United States.

AS / NZS 3112 1993 The standard to which plugs and receptacles of the Australian configurations (AU1-10P, AU2-15P and AU1-10R, AU2-15R respectively) must be manufactured.

ASTA ASTA is a certification agency for the United Kingdom.

AWG American Wire Gauge. The standard system for designating the physical size of a current carrying wire.

BSI British Standards Institution (BSI) is the standards setting and certification agency for the United Kingdom.

BS 546A The standard to which plugs and receptacles of the United Kingdom configurations (UK2-15P and UK2-15R, respectively) must be manufactured. Wiring devices of these configurations are generally utilized in countries which were part of the United Kingdom when electricity was introduced into the country, i.e. South Africa and India.

BS 1363A The standard to which plugs and receptacles of the United Kingdom configuration (UK1-13P and UK1-13R respectively) must be manufactured. All plugs, rewirable and those molded on to power cords, must be equipped with an internal fuse. Fuses are available in 3, 5, 10 and 13 ampere ratings. The rating of the plug is, therefore, contingent upon the rating of the fuse which is installed into it.

C22.2, No. 42 The standard to which plugs and receptacles of Canada configuration (NEMA 5-15P and NEMA 5-15R respectively) must be manufactured. This configuration is the same as the plug and receptacle configuration which is utilized in the United States.

Cable A group of insulated conductors twisted together and contained within an overall insulating jacket.

CCC China Compulsory Certification

CEBEC Comite Electrotechnique Belge (CEBEC) is the certification agency for Belgium.

CEE 7 The standard to which grounded plugs and receptacles of the Germany configuration must be manufactured. This configuration is commonly referred to as the SCHUKO configuration and is utilized throughout most of the continental Europe.

CEE 7-7 The standard to which grounded plugs and receptacles of the Germany configuration (EU1-16P and EU1-16R respectively) must be manufactured. Plugs that are manufactured to this standard have a slot in the face which allows the plug to mate with French and Belgian receptacles (FR1-16R). This configuration is commonly referred to as the "SCHUKO" configuration and is utilized throughout most of the continental Europe.

CEE 7-16 The standard to which non-grounded plugs and receptacles of the Germany configuration must be manufactured. The plug is commonly utilized throughout the continental Europe and is therefore often referred to as the "Europlug".

CEI Comitato Elettrotecnico Italiano (CEI) is the standards setting agency for Italy.

CEI 23-16/VII The standard to which plugs and receptacles of the Italian configurations (IT1-10P, IT2-16P and IT1-10R, IT2-16R respectively) must be manufactured.

CENELEC European Committee for Electrotechnical Standardization (CENLEC) is a standards setting agency which is responsible for developing electrical standards that are universally acceptable to all CENELEC member nations. Austria, Belgium, Denmark, France, Federal Republic of Germany, Finland, Greece, Ireland, Italy, Netherlands, Norway, Portugal, Spain, Sweden, Switzerland and the United Kingdom are members of CENELEC.

CSA Canadian Standards Association (CSA) is the standards setting and certification agency for Canada.



GLOSSARY

CSBS China State Bureau for Standardization (CSBS) is the standards setting agency for the People's Republic of China.

DEMKO Dansk Elektroteknisk Komite (DEMKO) is the certification agency for Denmark.

Department of Fair Trading Australia

DIN Deutsches Institut für Normung (DIN) is the standards setting agency for Germany.

Europlug Plug manufactured to the German standard CEE7-16. The plug is commonly utilized throughout the continental Europe and is therefore often referred to as the "Europlug".

Filler A nonconducting material used in multiconductor cables to occupy the voids formed by the cabled conductors.

FIMKO FIMKO Limited (FIMKO) is the certification agency for Finland.

GB 1002-1996 & GB 2099.1-1996 The standard to which plugs and receptacles of the Chinese configurations (CH1-10P, CH2-16P and CH1-10R, CH2-16R respectively) must be manufactured.

Gost 7396 The standard to which plugs and receptacles of the Russian configuration must be manufactured. The plug is similar to the German Schuko plug except the plug pins are 4.0 mm in diameter.

HAR Harmonized Cordage (HAR)

Harmonized Cordage Cordage that is manufactured in accordance with CENELEC's Harmonization Documents HD-21 or HD-22. In order to identify a harmonized wire or cable, one of the following identification methods are required; (1) Printed letters (HAR) on either the overall jacket or insulation or (2) Printed tape or identification threads.

HD-21 CENELEC's Harmonization Document HD-21 provides the specifications for polyvinyl chloride (PVC) insulated wire and cable.

HD-22 CENELEC's Harmonization Document HD-22 provides the specifications for rubber insulated flexible cords and cables.

IEC International Electrotechnical Commission is an international committee that develops and publishes its recommendations for standardising international wiring devices and products.

IEC 60309 (Formerly IEC 309 - CEE 17) International Electrotechnical Commission standard that applies to a series of heavy duty plugs and receptacles of a pin and sleeve design and that have a specific ampere/voltage rating for each individual configuration.

IEC 60320 (Formerly IEC 320) International Electrotechnical Commission standard that applies to a series of plugs, connectors, inlets and outlets designed for use on portable equipment such as computers, printers, medical equipment and other electrical or electronic equipment.

IMQ Istituto Italiano del Marchio di Qualità (IMQ) is the certification agency for Italy.

IP Ingress Protection (IP) - grades of protection against external solids contacting the conductors of a wiring device and against the penetration of liquids into the wiring device as per the standard established by International Electrotechnical Commission (IEC).

IP 44 or IP X4 Ingress protection is provided against solid bodies of dimensions above 1 mm diameter and against sprinklings of water. These devices are typically considered to be "splashproof".

IP 67 or IP X7 Ingress protection is provided against dust and against immersion under predetermined pressure and time conditions. These devices are typically considered to be "watertight".



GLOSSARY

Insulation A material having a high resistance to the flow of electrical current. Used to isolate conductors.

INTI Instituto Nacional de Tecnologia Industrial (INTI) is the testing agency for Argentina

IRAM Instituto Argentino de Racionalization de Materiales (IRAM) is the standards setting agency for Argentina.

IRAM 2073 & IRAM 2063 The standard to which plugs and receptacles of the Argentinian configuration (AR1-10P and AR1-10R respectively) must be manufactured.

Jacket The outer covering of a cable which provides protection against the environment.

JET Japan Electrical Testing Laboratory (JET) is the testing agency for Japan.

JIS Japanese Industrial Standards Committee Agency of Industrial Science & Technology (JIS) is the standards setting agency for Japan

JIS 8303 The standard to which grounded plugs and receptacles of the Japanese configuration (JA1-15P and JA1-15R respectively) must be manufactured.

KEMA NV tot Keuring van Elektrotechnische Materialen (KEMA) is the certification agency for the Netherlands.

LCIE Laboratoire Central des industries electriques (LCIE) is the certification agency for France.

MITI The Ministry of International Trade and Industry (MITI) is the organization to which all testing and/or approval agencies in Japan belong. Dentori and JIS approvals are administered by MITI.

NEMA National Electrical Manufactures Association (NEMA) is a standards setting agency for the United States.

NEMA 5-15 The standard to which 15 ampere 125 volt grounded straight blade plugs and their corresponding receptacles of the North American configuration (NEMA 5-15P and NEMA 5-15R respectively) must be manufactured.

NEMA 5-20 The standard to which 20 ampere 125 volt grounded straight blade plugs and their corresponding receptacles of the North American configuration (NEMA 5-20P and NEMA 5-20R respectively) must be manufactured.

NEMA 6-15 The standard to which 15 ampere 250 volt grounded straight blade plugs and their corresponding receptacles of the North American configuration (NEMA 6-15P and NEMA 6-15R respectively) must be manufactured.

NEMA 6-20 The standard to which 20 ampere 250 volt grounded straight blade plugs and their corresponding receptacles of the North American configuration (NEMA 6-20P and NEMA 6-20R respectively) must be manufactured.

NEMA L5-15 The standard to which 15 ampere 125 volt grounded locking plugs and their corresponding receptacles of the North American configuration (NEMA L5-15P and NEMA L5-15R respectively) must be manufactured. These wiring devices have a locking feature that is designed to prevent accidental disconnects.

NEMA L5-20 The standard to which 20 ampere 125 volt grounded locking plugs and their corresponding receptacles of the North American configuration (NEMA L5-20P and NEMA L5-20R respectively) must be manufactured. These wiring devices have a locking feature that is designed to prevent accidental disconnects.

NEMA L5-30 The standard to which 30 ampere 125 volt grounded locking plugs and their corresponding receptacles of the North American configuration (NEMA L5-30P and NEMA L5-30R respectively) must be manufactured. These wiring devices have a locking feature that is designed to prevent accidental disconnects.

NEMA L6-15 The standard to which 15 ampere 250 volt grounded locking plugs and their corresponding receptacles of the North American configuration (NEMA L6-15P and NEMA L6-15R respectively) must be manufactured. These wiring devices have a locking feature that is designed to prevent accidental disconnects.



GLOSSARY

NEMA L6-20 The standard to which 20 ampere 250 volt grounded locking plugs and their corresponding receptacles of the North American configuration (NEMA L6-20P and NEMA L6-20R respectively) must be manufactured. These wiring devices have a locking feature that is designed to prevent accidental disconnects.

NEMA L6-30 The standard to which 30 ampere 250 volt grounded locking plugs and their corresponding receptacles of the North American configuration (NEMA L6-30P and NEMA L6-30R respectively) must be manufactured. These wiring devices have a locking feature that is designed to prevent accidental disconnects.

NEMKO Norges Elektriske Materiekkontroll (NEMKO) is the certification agency for Norway.

Neoprene The Dupont trade name for polychloroprene a synthetic rubber which has the characteristics of good resistance to oil, chemical and flame.

OVE Osterreichischer Verband Fur Elektrotechnik (OVE) is the certification agency for Austria.

PVC Polyvinyl chloride, a thermoplastic material used to insulate conductors and for cable jackets.

SAA Standards Association of Australia (SAA) is the standards setting agency for Australia.

SABS South African Bureau of Standards (SABS) is the standards setting agency for South Africa

SABS 164 The standard to which grounded plugs and receptacles of the South African configuration (UK2-15P and UK2-15R respectively) must be manufactured.

SANZ Standards Association of New Zealand (SANZ) is the standards setting agency for New Zealand.

Schuko Plugs and receptacles of the Germany configuration (EU1-16P and EU1-16R respectively) manufactured to the CEE 7-7 standard. Plugs that are manufactured to this standard have a slot in the face which allows the plug to mate with French and Belgian receptacles (FR1-16R) This configuration is commonly utilized throughout most of the continental Europe.

SEMKO Svenska Elektriska Materiekkontrollanstalten AB (SEMKO) is the testing and certification agency for Sweden.

SEV Schweizerischer Electrotechnischer Verein (SEV) is the certification agency for Switzerland.

SEV 1011. 1959 The standard to which grounded plugs and receptacles of the Swiss configuration (SW1-10P and SW1-10R respectively) must be manufactured.

SI 32 The standard to which grounded plugs and receptacles of the Israeli configuration (IS1-16P and IS1-16R respectively) must be manufactured.

SII Standards Institution of Israel (SII) is the certification agency for Israel.

SJT UL cord type designation. Service Junior Thermoplastic jacket used for hard service applications.

SJTO UL cord type designation. Service Junior Thermoplastic Oil resistant jacket used for hard service applications.

SPT UL cord type designation. Service Parallel Thermoplastic.

SVT UL cord type designation. Service Vacuum Thermoplastic jacket *not* for use in hard service applications.

UL Underwriters Laboratories (UL) is a testing agency for the United States.

UTE Union Technique de l'Electricite (UTE) is the standards setting agency for France.

VDE VDE Pruf und Zertifizierungsinstitut (VDE) is the certification agency for Germany.



TEMPERATURE AND METRIC CONVERSION DATA

Temperature Conversion Data				
°F °C	°F °C	°F °C	°F °C	°F °C
140 60.00	160 71.11	180 82.22	200 93.33	300 148.89
141 60.55	161 71.66	181 82.77	205 96.11	305 151.67
142 61.11	162 72.22	182 83.33	210 98.89	310 154.44
143 61.66	163 72.77	183 83.88	215 101.67	315 157.22
144 62.22	164 73.33	184 84.44	220 104.44	320 160.00
145 62.78	165 73.89	185 85.00	225 107.22	325 162.78
146 63.33	166 74.44	186 85.55	230 110.00	330 165.56
147 63.88	167 75.00	187 86.11	235 112.78	335 168.33
148 64.44	168 75.55	188 86.66	240 115.56	340 171.11
149 65.00	169 76.11	189 87.22	245 118.33	345 173.89
150 65.56	170 76.67	190 87.78	250 121.11	350 176.67
151 66.11	171 77.22	191 88.33	255 123.89	355 179.44
152 66.66	172 77.77	192 88.88	260 126.67	360 182.22
153 67.22	173 78.33	193 89.44	265 129.44	365 185.00
154 67.77	174 78.88	194 90.00	270 132.22	370 187.78
155 68.33	175 79.44	195 90.55	275 135.00	375 190.55
156 68.88	176 80.00	196 91.11	280 137.78	380 193.33
157 69.44	177 80.55	197 91.66	285 140.55	385 196.11
158 70.00	178 81.11	198 92.22	290 143.33	390 198.89
159 70.55	179 81.66	199 92.77	295 146.11	395 201.67

Metric Conversion Factors

Length

Inch x 25.4 = Millimeters
 Millimeters x 0.03937 = Inches
 Feet x 0.3048 = Meters
 Meters x 3.281 = Feet

Area

Square Inch x 6.452 = Square Centimeter
 Square Centimeter x 0.1550 = Square Inch
 Square Foot x 0.0929 = Square Meter
 Square Meter x 10.76 = Square Foot

Mass

Ounce x 28.35 = Gram
 Gram x 0.03527 = Ounce
 Pound x 0.4536 = Kilogram
 Kilogram x 2.205 = Pound

Volume

Cubic Inch x 16.39 = Cubic Centimeter
 Cubic Centimeter x 0.06102 = Cubic Inch
 Cubic Foot x 0.02832 = Cubic Meter
 Cubic Meter x 35.31 = Cubic Foot

Fractions to Decimals to Millimeters Conversion Chart

Inches			Inches			Inches			Inches		
Fraction	Decimal	mm	Fraction	Decimal	mm	Fraction	Decimal	mm	Fraction	Decimal	mm
1/64	0.0156	0.3969	17/64	0.2656	6.7469	33/64	0.5156	13.0969	49/64	0.7656	19.4469
1/32	0.0312	0.7938	9/32	0.2812	7.1438	17/32	0.5312	13.4938	25/32	0.7812	19.8437
3/64	0.0468	1.1906	19/64	0.2968	7.5406	35/64	0.5468	13.8906	51/64	0.7968	20.2406
1/16	0.0625	1.5875	5/16	0.3125	7.9375	9/16	0.5625	14.2875	13/16	0.8125	20.6375
5/64	0.0781	1.9844	21/64	0.3281	8.3344	37/64	0.5781	14.6844	53/64	0.8281	21.0344
3/32	0.0937	2.3812	11/32	0.3437	8.7312	19/32	0.5937	15.0812	27/32	0.8437	21.4312
7/64	0.1093	2.7781	23/64	0.3593	9.1281	39/64	0.6093	15.4781	55/64	0.8593	21.8281
1/8	0.1250	3.1750	3/8	0.3750	9.5250	5/8	0.6250	15.8750	7/8	0.8750	22.2250
9/64	0.1406	3.5719	25/64	0.3906	9.9219	41/64	0.6406	16.2719	57/64	0.8906	22.6219
5/32	0.1562	3.9688	13/32	0.4062	10.3188	21/32	0.6562	16.6688	29/32	0.9062	23.0188
11/64	0.1718	4.3656	27/64	0.4218	10.7156	43/64	0.6718	17.0656	59/64	0.9218	23.4156
3/16	0.1875	4.7625	7/16	0.4375	11.1125	11/16	0.6875	17.4625	15/16	0.9375	23.8125
13/64	0.2031	5.1594	29/64	0.4531	11.5094	45/64	0.7031	17.8594	61/64	0.9531	24.2094
7/32	0.2187	5.5562	15/32	0.4687	11.9062	23/32	0.7187	18.2562	31/32	0.9687	24.6062
15/64	0.2343	5.9531	31/64	0.4843	12.3031	47/64	0.7343	18.6531	63/64	0.9843	25.0031
1/4	0.2500	6.3500	1/2	0.5000	12.7000	3/4	0.7500	19.0500	1	1.0000	25.4000



AWG TO METRIC (mm²) CONVERSION CHART

METRIC CONVERSION FACTORS

Metric Conductor Size (mm ²)	Maximum Current Carrying Capacity at 20°C (Amperes)	Cross-Sectional Area (mm ²)	American Wire Gauge Size (AWG)	Maximum Current Carrying Capacity (Amperes) *
0.75	10	0.75	---	---
---	---	0.82	18	10
1.00	15	1.00	---	---
---	---	1.31	16	13
1.50	20	1.50	---	---
---	---	2.08	14	18
2.50	25	2.50	---	---
---	---	3.31	12	25
4.00	34	4.00	---	---
---	---	5.26	10	30
6.00	44	6.00	---	---
---	---	8.37	8	40
10.00	61	10.00	---	---

* These are the Underwriters' Laboratories, Inc. & National Electric Code Standard for 2 and 3 conductor rubber or plastic cords. The current rating for cord with 4 or 6 conductors is 80% of the value shown.



DIMENSIONAL DATA

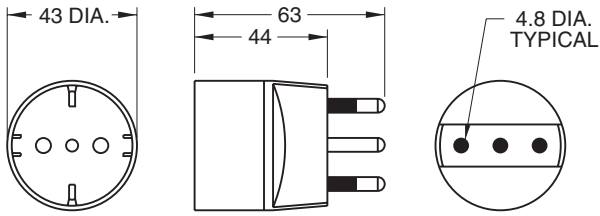
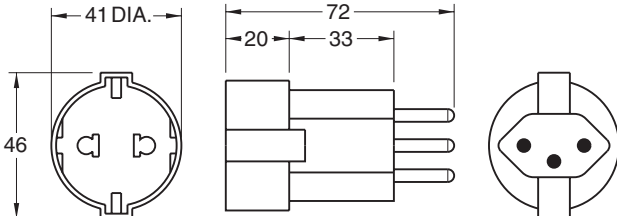
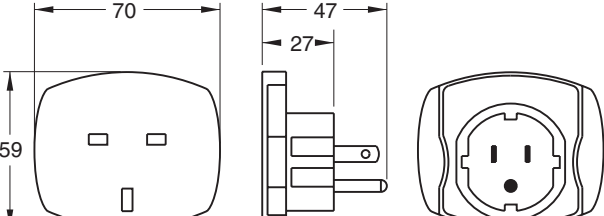
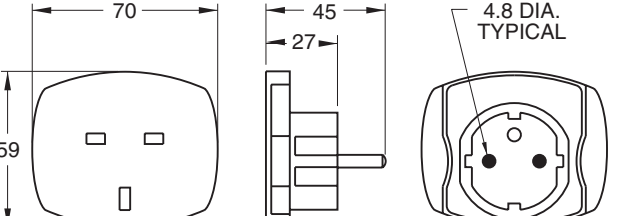
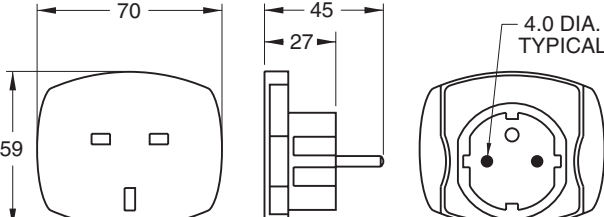
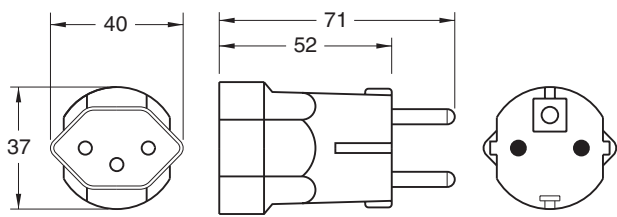
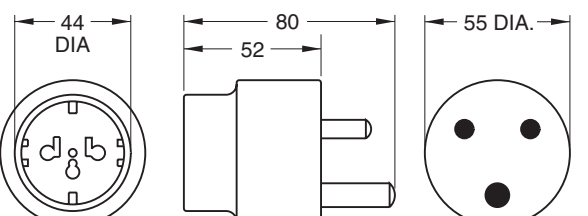
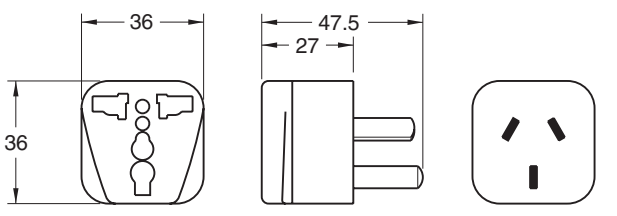
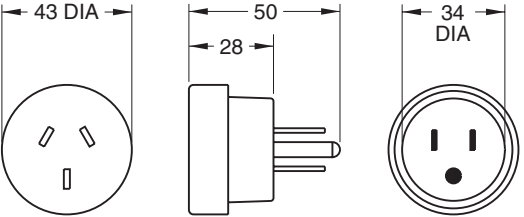
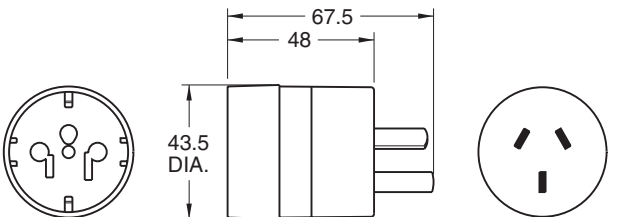
All Dimensions Are In Millimeters

(1 mm = 0.039")

<p>Cat. No. 007879-007890 Page No. 198</p>	<p>Cat. No. 12QEL Page No. 199</p>
<p>Cat. No. 24QEL Page No. 199</p>	<p>Cat. No. 30100 Page No. 116</p>
<p>Cat. No. 30110 Page No. 116</p>	<p>Cat. No. 30120 Page No. 117</p>
<p>Cat. No. 30130 Page No. 117</p>	<p>Cat. No. 30140 Page No. 118</p>
<p>Cat. No. 30150 Page No. 118</p>	<p>Cat. No. 30150 Page No. 118</p>



DIMENSIONAL DATA
All Dimensions Are In Millimeters
 (1 mm = 0.039")

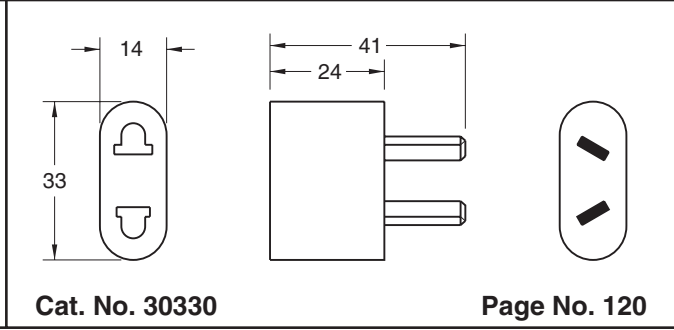
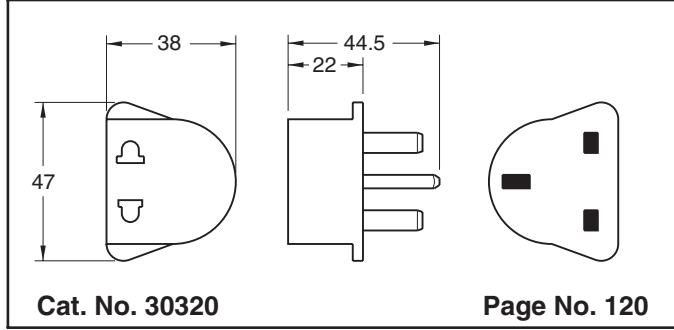
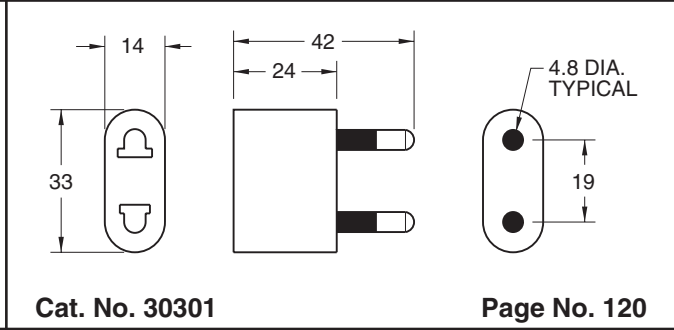
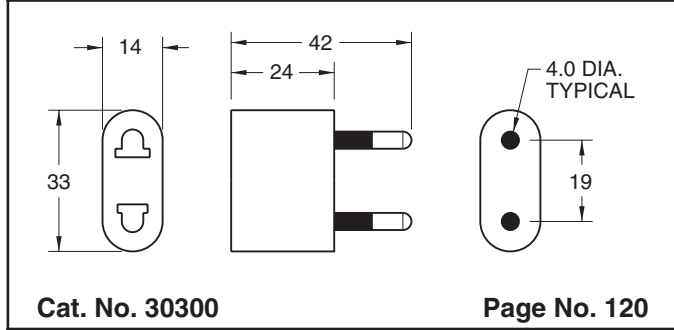
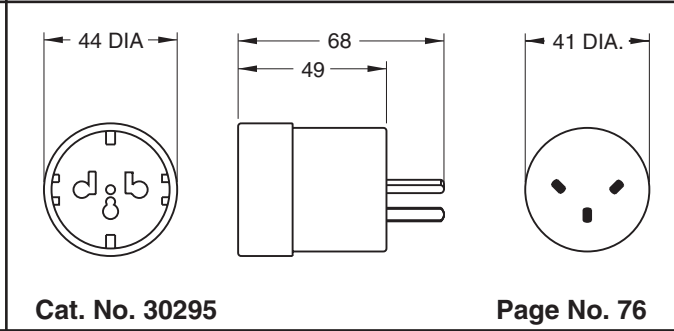
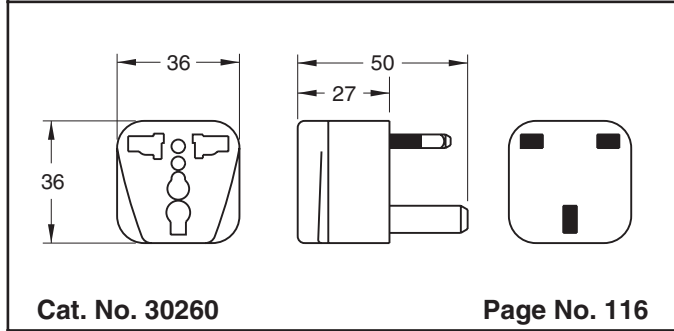
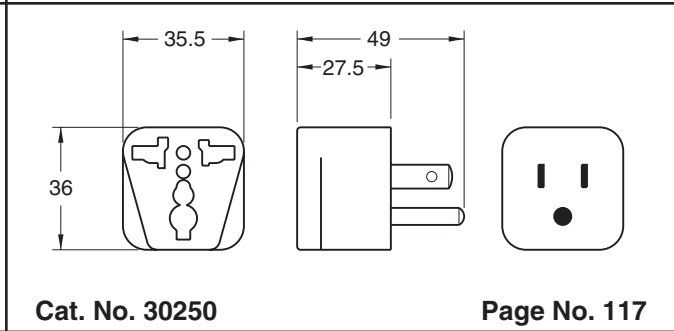
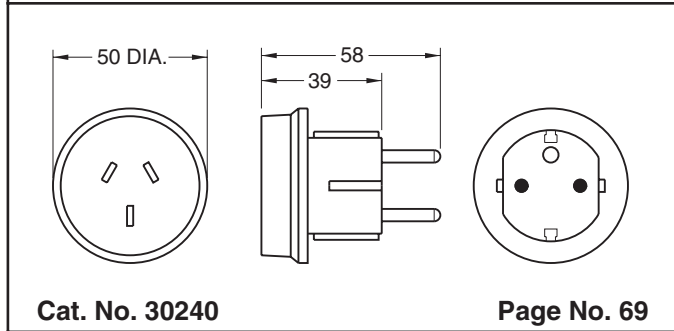
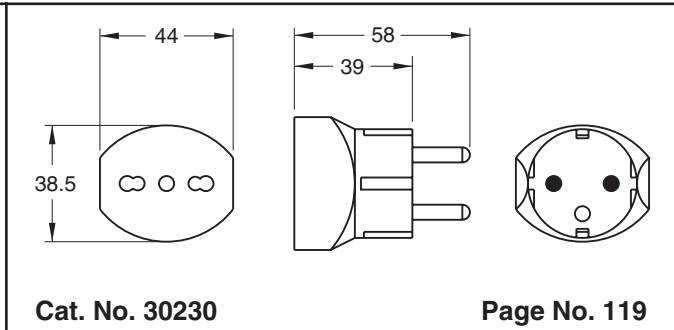
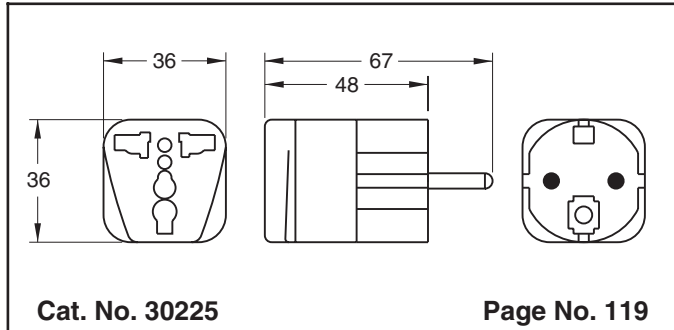
 <p>Cat. No. 30160 Page No. 118</p>	 <p>Cat. No. 30170 Page No. 118</p>
 <p>Cat. No. 30180 Page No. 117</p>	 <p>Cat. No. 30181 Page No. 119</p>
 <p>Cat. No. 30182 Page No. 119</p>	 <p>Cat. No. 30190 Page No. 119</p>
 <p>Cat. No. 30195 Page No. 67</p>	 <p>Cat. No. 30200 Page No. 116</p>
 <p>Cat. No. 30210 Page No. 69</p>	 <p>Cat. No. 30220 Page No. 116</p>



DIMENSIONAL DATA

All Dimensions Are In Millimeters

(1 mm = 0.039")



DIMENSIONAL DATA
All Dimensions Are In Millimeters
 (1 mm = 0.039")

Cat. No. 30340 **Page No. 121**

Cat. No. 30340A **Page No. 121**

Cat. No. 30350 **Page No. 121**

Cat. No. 30360 **Page No. 67**

Cat. No. 30395 **Page No. 77**

Cat. No. 30500 **Page No. 82**

Cat. No. 30510 **Page No. 82**

Cat. No. 3232-I **Page No. 155**

Cat. No. 38041 **Page No. 199**

PANEL THICKNESS	L
0.8	24
1.0	24.6
1.2	25.2
1.6	26.2

Cat. No. 4300.0701 **Page No. 155**



DIMENSIONAL DATA

All Dimensions Are In Millimeters
(1 mm = 0.039")

PANEL THICKNESS	X
0.8 - 1.2+	24.6
1.3 - 1.6+	24.8

Cat. No. 4300.0702 **Page No. 155**

PANEL THICKNESS	X
0.8 - 1.2+	24.6
1.3 - 2.0+	24.8
2.1 - 3.0+	25

Cat. No. 4300.0703 **Page No. 155**

Cat. No. 4550 **Page No. 164**

Cat. No. 4560 **Page No. 164**

Cat. No. 4700 **Page No. 163**

Cat. No. 4710 **Page No. 163**

Cat. No. 4715-SS **Page No. 163**

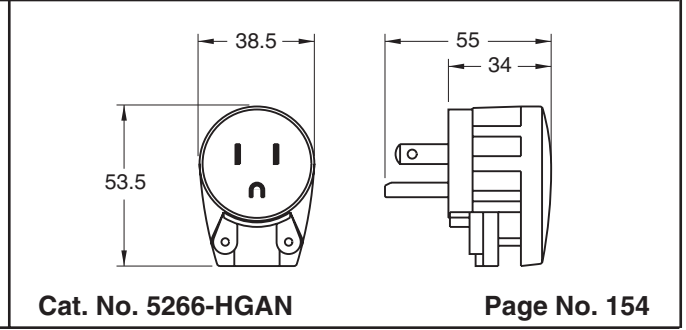
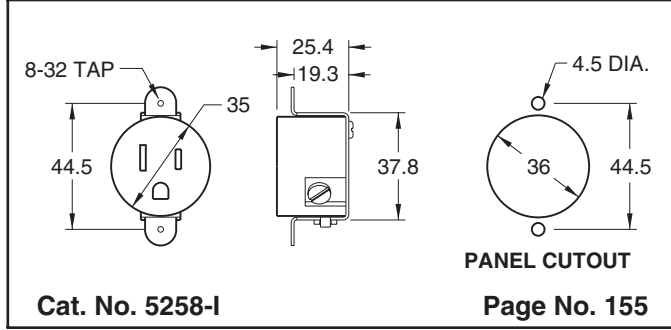
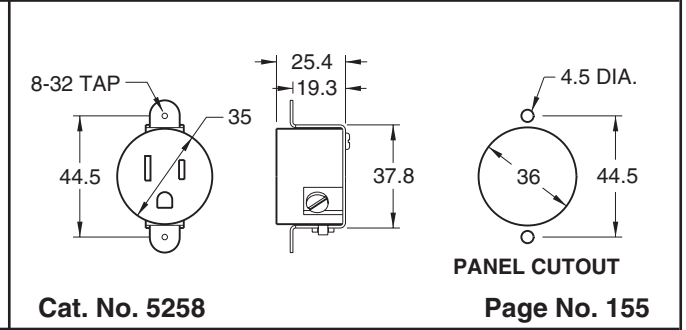
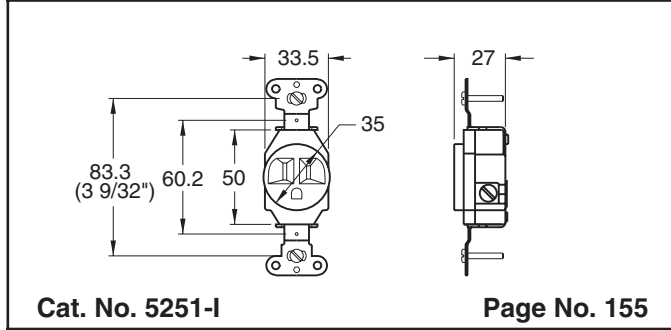
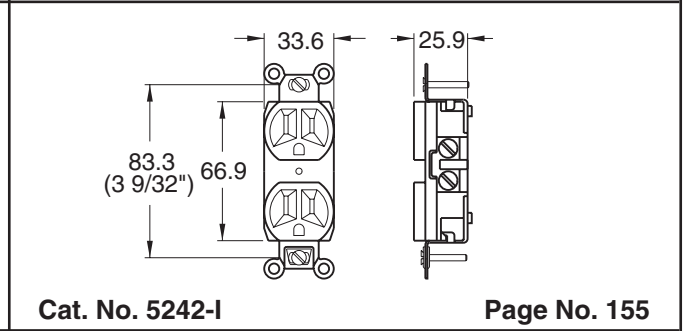
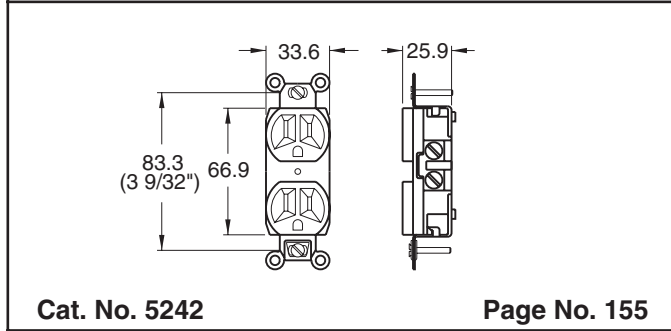
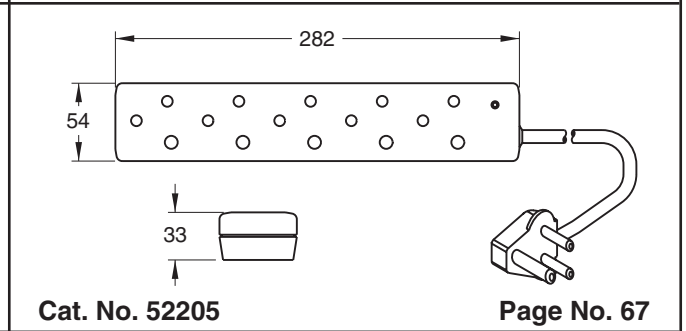
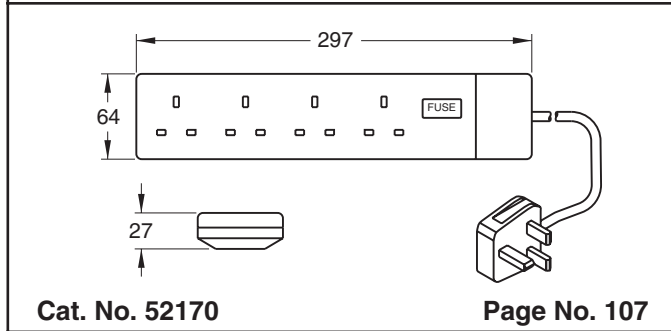
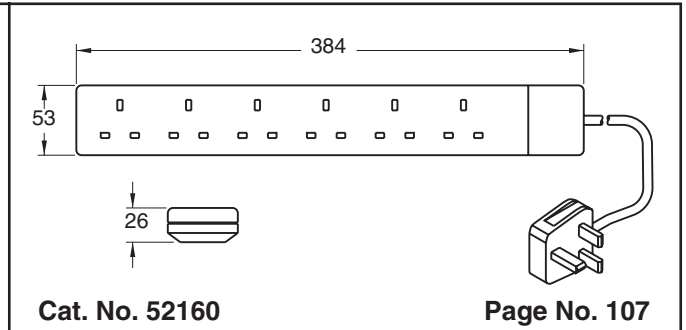
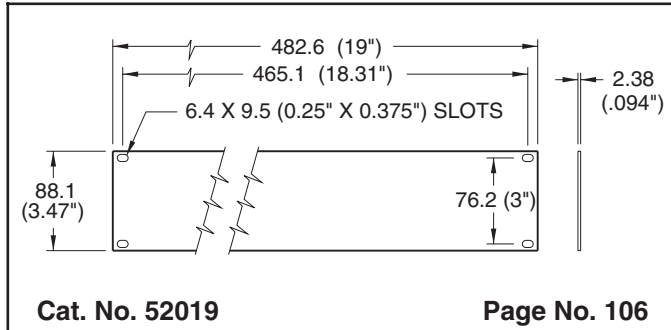
Cat. No. 4716-SS **Page No. 163**

Cat. No. 4720-SSAN **Page No. 163**

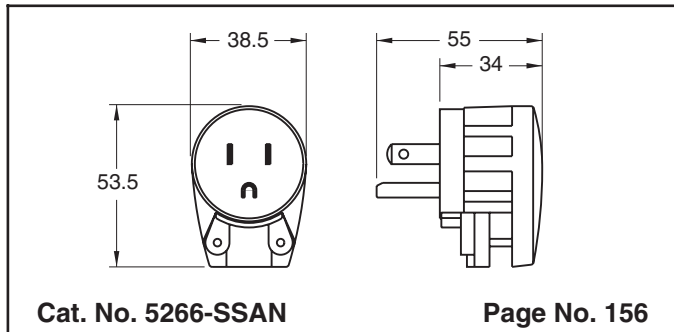
Cat. No. 4QEL **Page No. 199**



DIMENSIONAL DATA
All Dimensions Are In Millimeters
 (1 mm = 0.039")

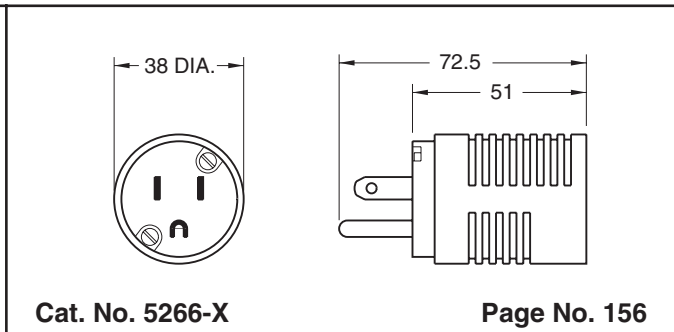


DIMENSIONAL DATA
All Dimensions Are In Millimeters
 (1 mm = 0.039")



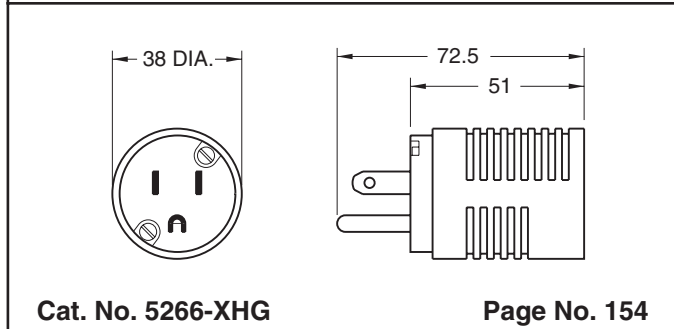
Cat. No. 5266-SSAN

Page No. 156



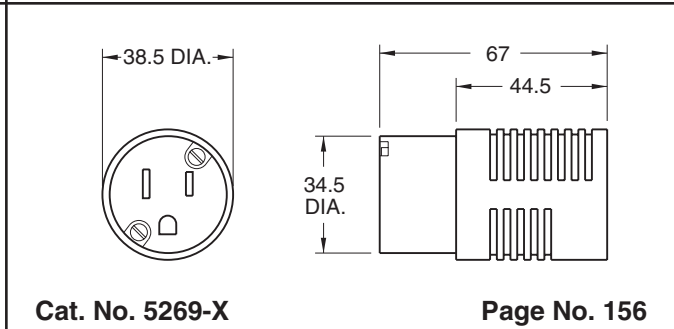
Cat. No. 5266-X

Page No. 156



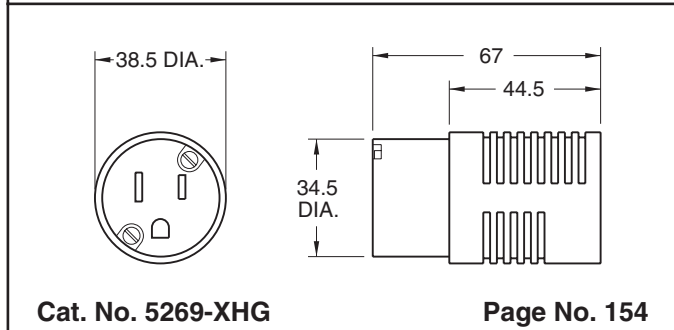
Cat. No. 5266-XHG

Page No. 154



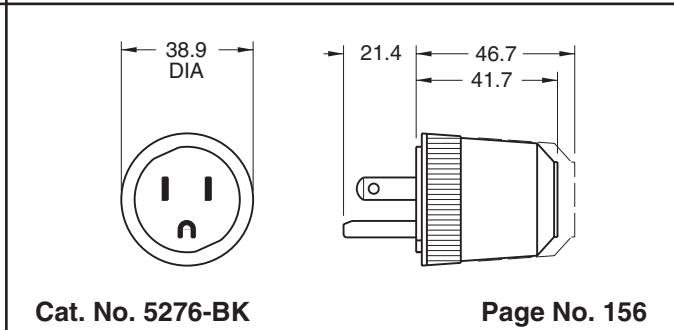
Cat. No. 5269-X

Page No. 156



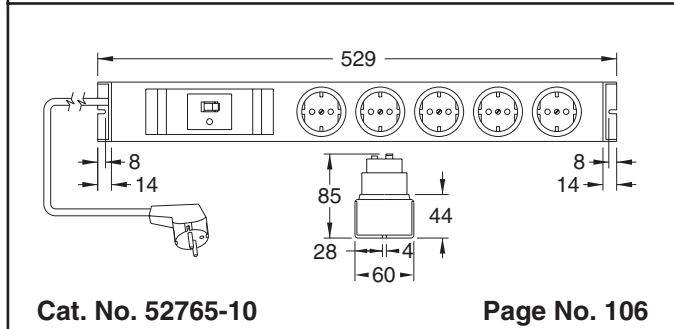
Cat. No. 5269-XHG

Page No. 154



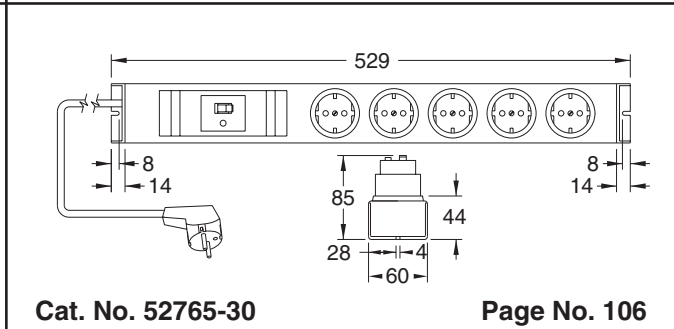
Cat. No. 5276-BK

Page No. 156



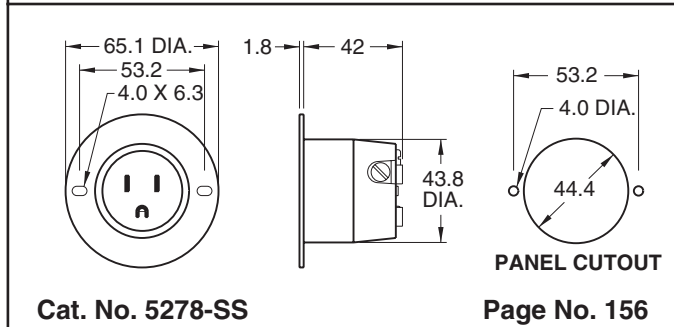
Cat. No. 52765-10

Page No. 106



Cat. No. 52765-30

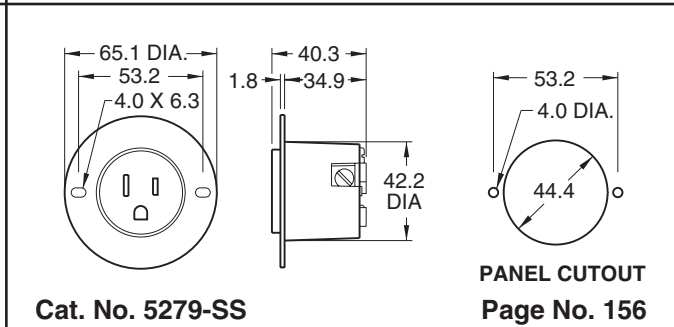
Page No. 106



Cat. No. 5278-SS

Page No. 156

PANEL CUTOUT



Cat. No. 5279-SS

Page No. 156

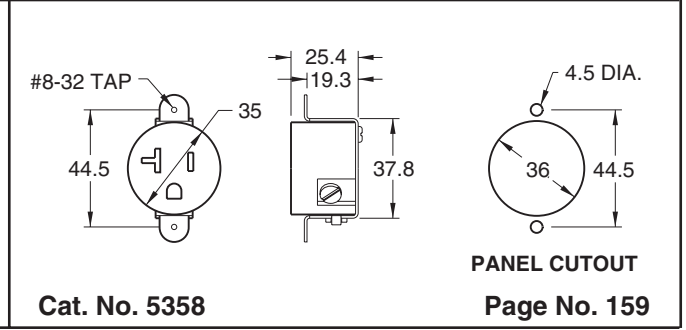
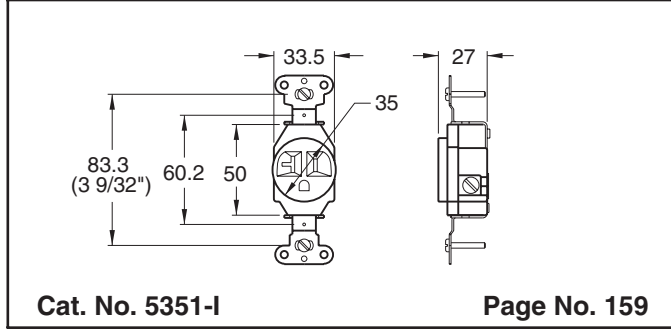
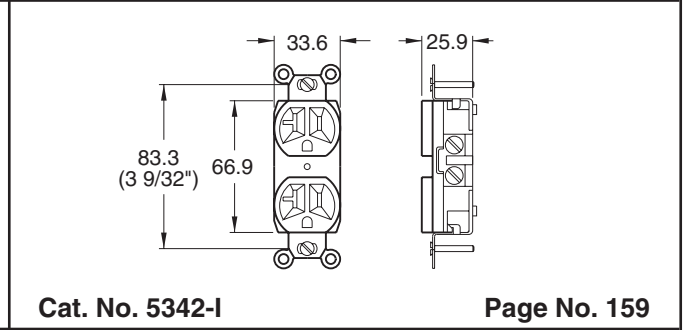
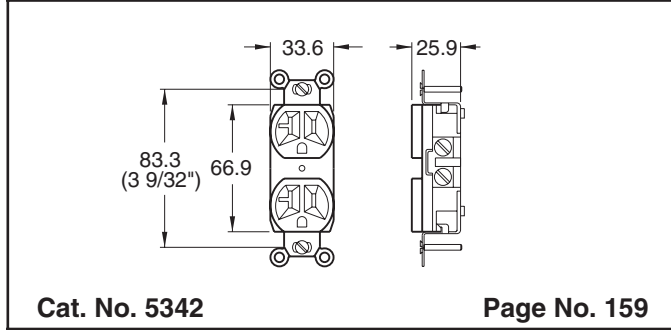
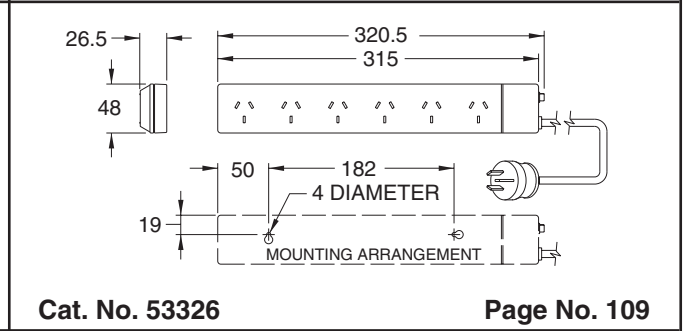
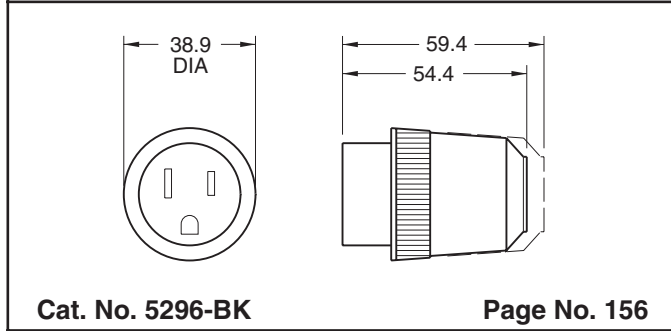
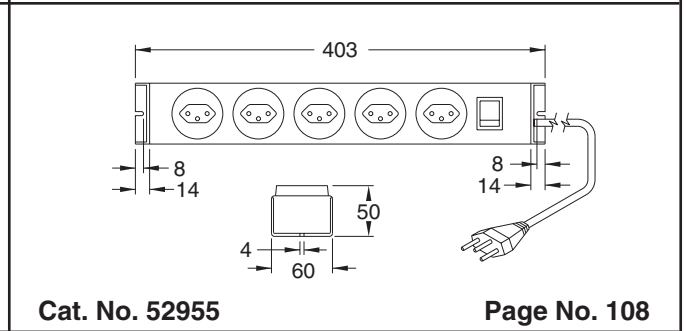
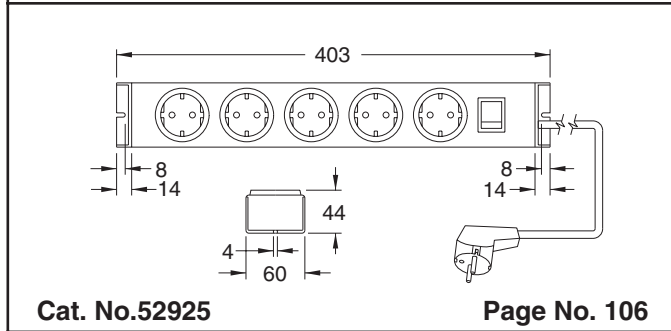
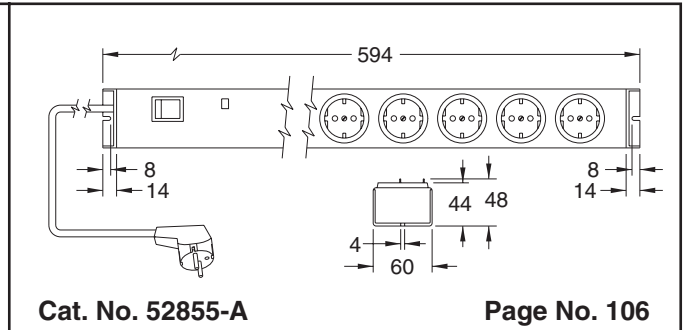
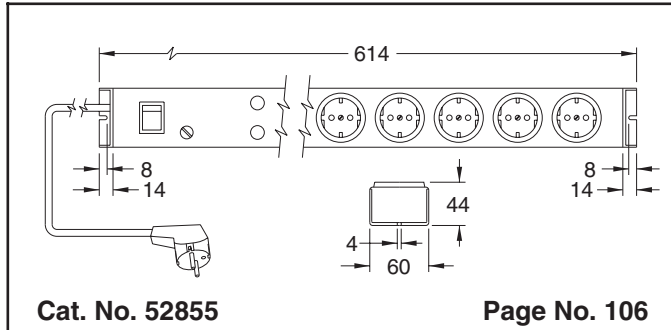
PANEL CUTOUT

Page No. 156

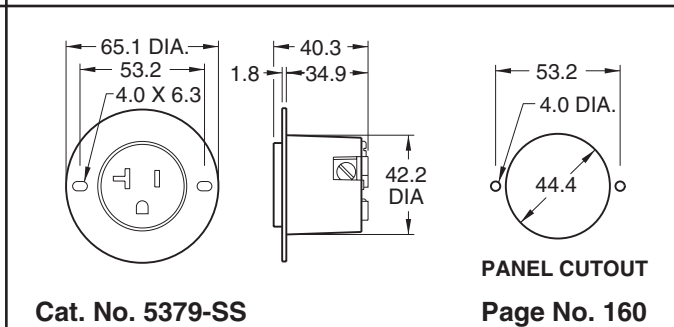
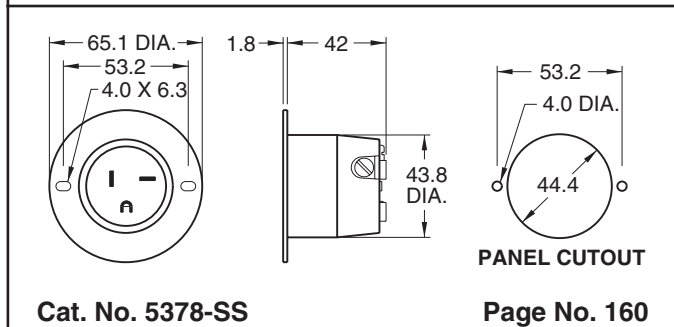
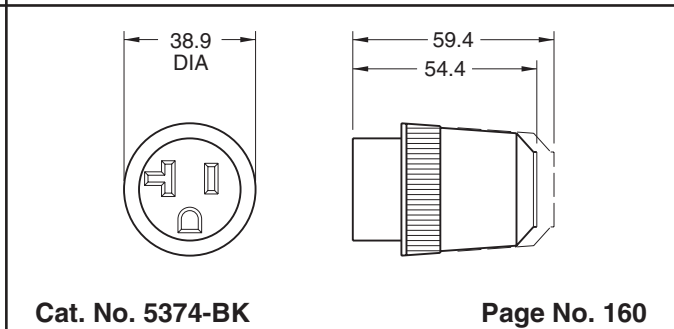
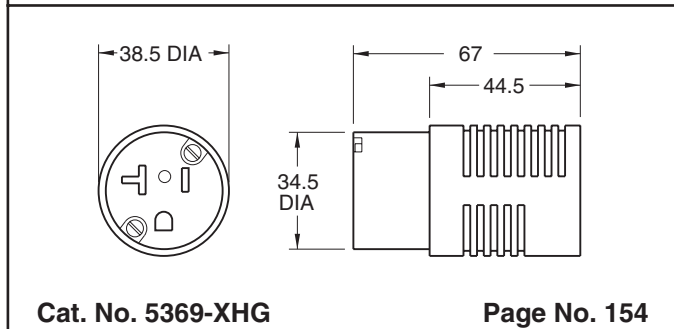
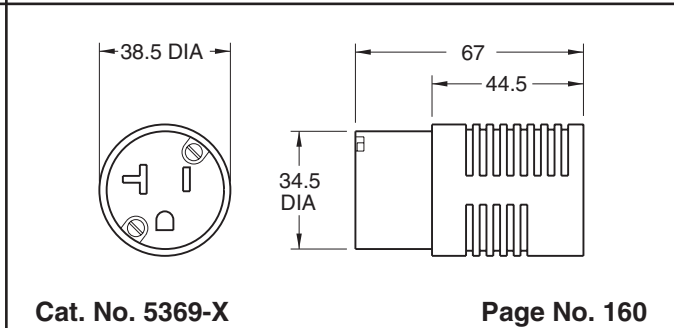
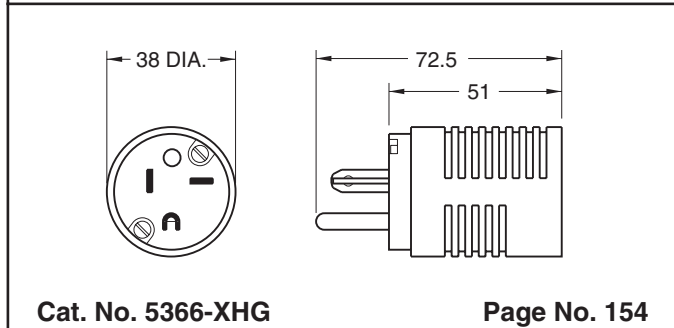
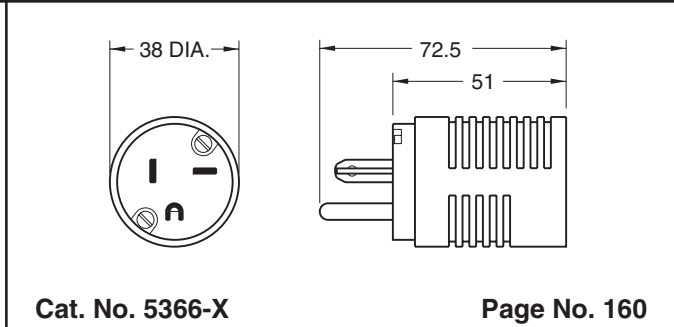
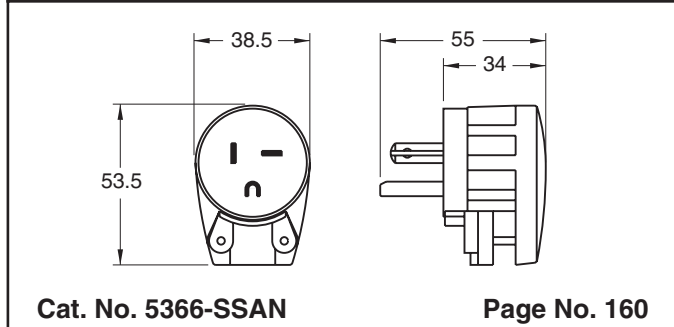
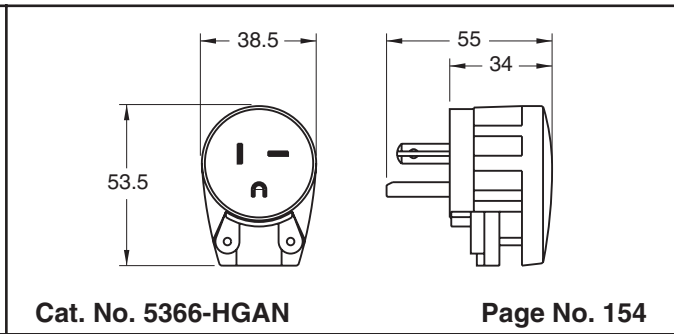
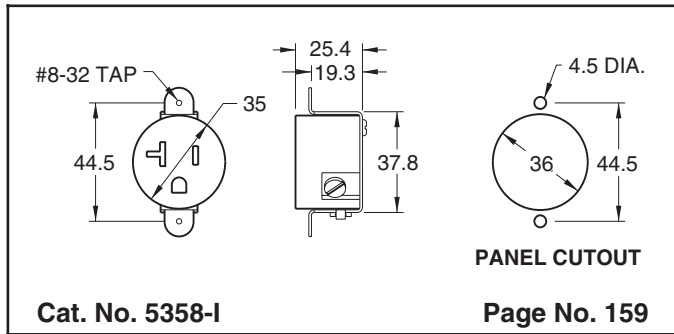


DIMENSIONAL DATA

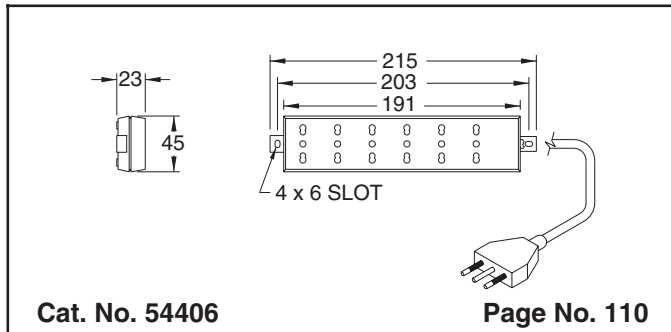
All Dimensions Are In Millimeters
(1 mm = 0.039")



DIMENSIONAL DATA
All Dimensions Are In Millimeters
 (1 mm = 0.039")

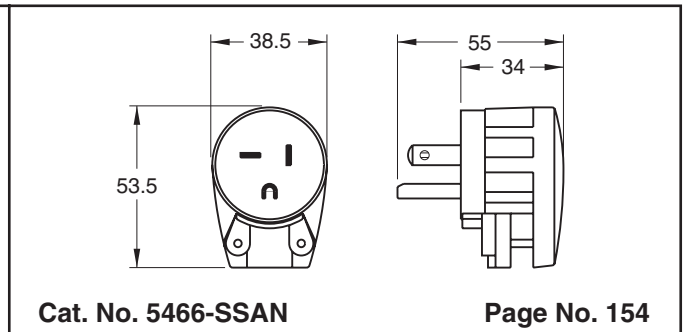


DIMENSIONAL DATA
All Dimensions Are In Millimeters
 (1 mm = 0.039")



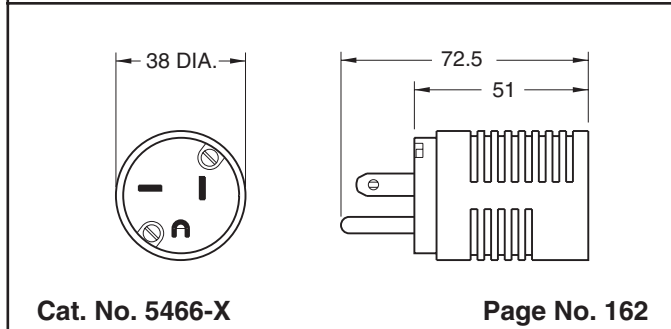
Cat. No. 54406

Page No. 110



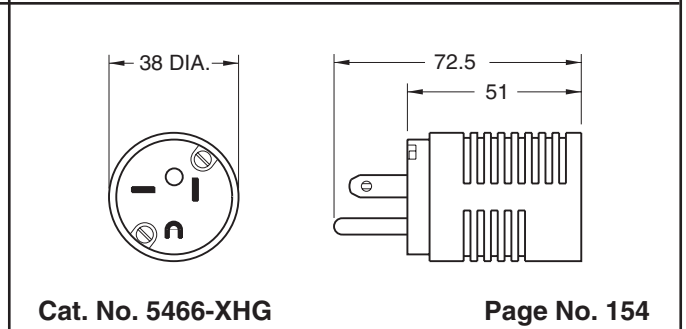
Cat. No. 5466-SSAN

Page No. 154



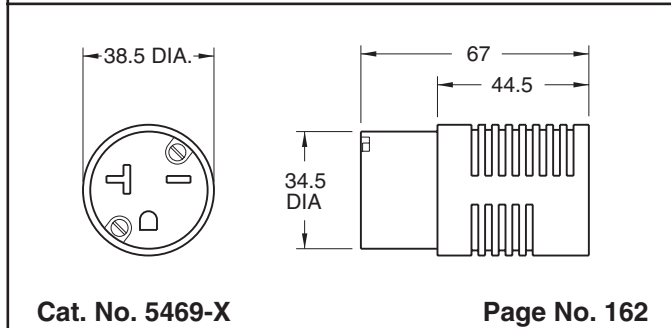
Cat. No. 5466-X

Page No. 162



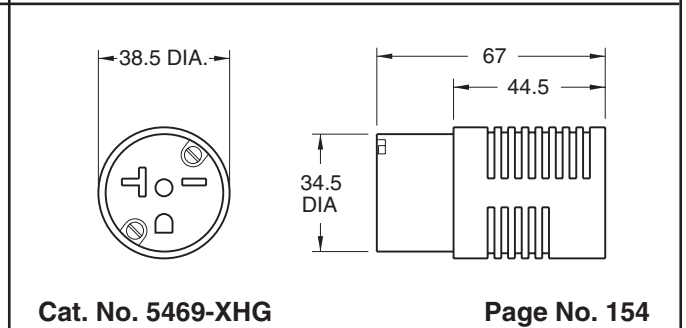
Cat. No. 5466-XHG

Page No. 154



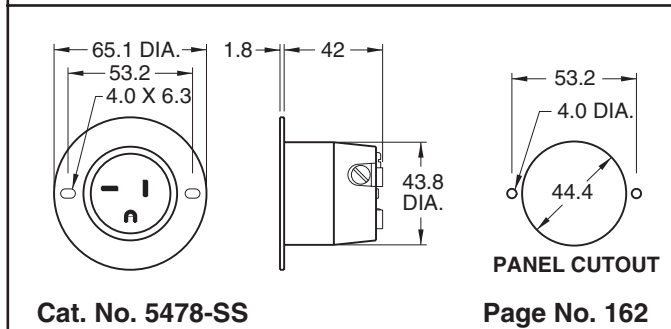
Cat. No. 5469-X

Page No. 162



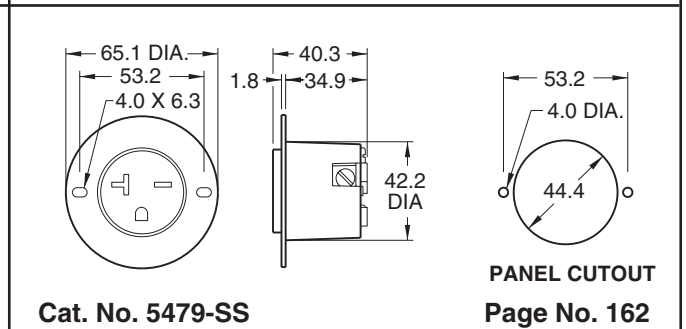
Cat. No. 5469-XHG

Page No. 154



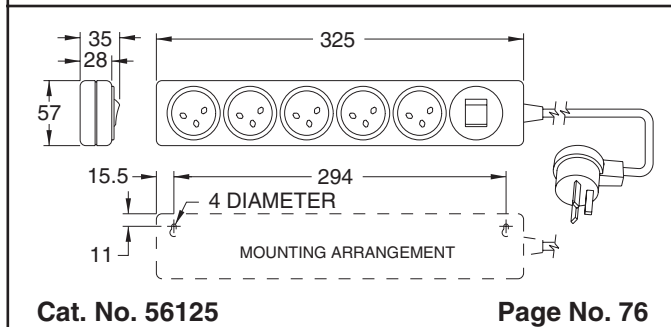
Cat. No. 5478-SS

Page No. 162



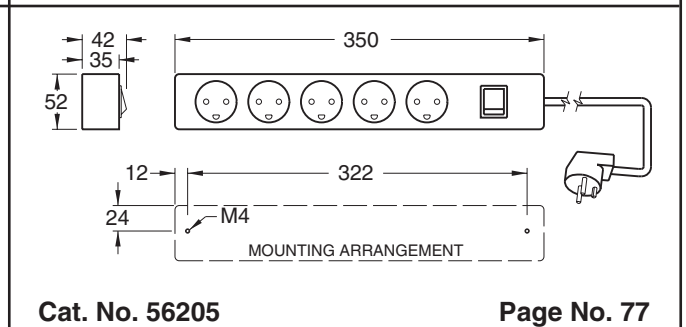
Cat. No. 5479-SS

Page No. 162



Cat. No. 56125

Page No. 76



Cat. No. 56205

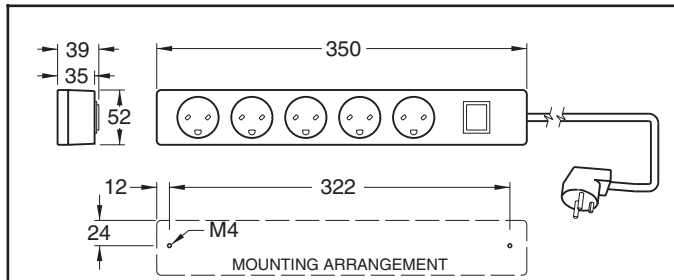
Page No. 77



DIMENSIONAL DATA

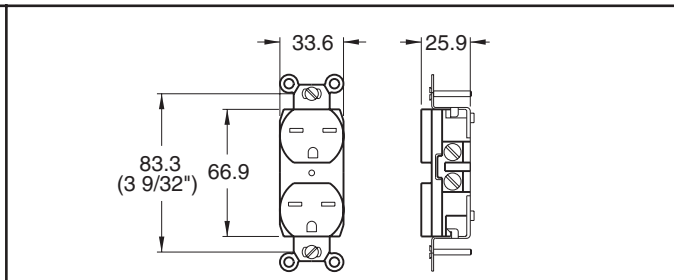
All Dimensions Are In Millimeters

(1 mm = 0.039")



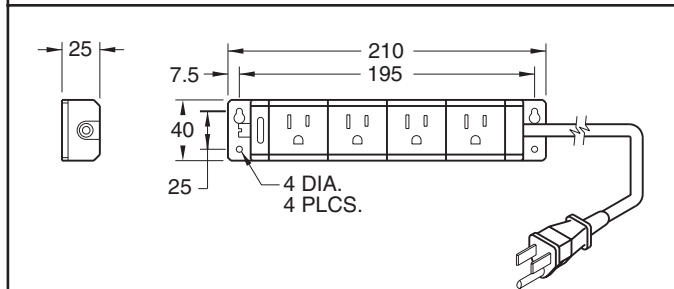
Cat. No. 56305

Page No. 77



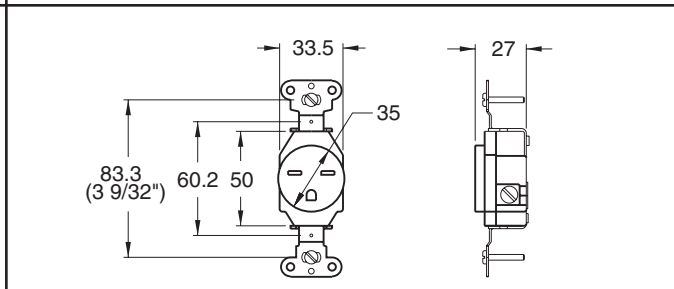
Cat. No. 5642-I

Page No. 157



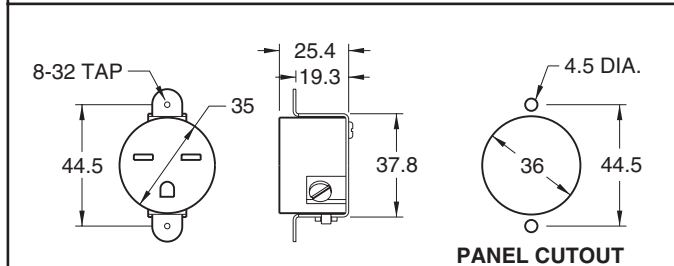
Cat. No. 56504

Page No. 82



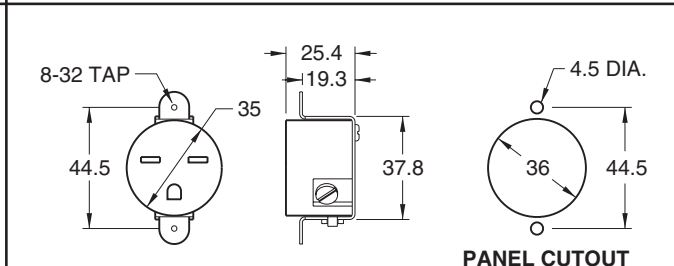
Cat. No. 5651-I

Page No. 157



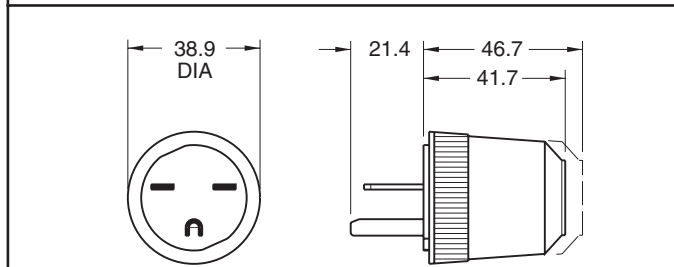
Cat. No. 5658

Page No. 157



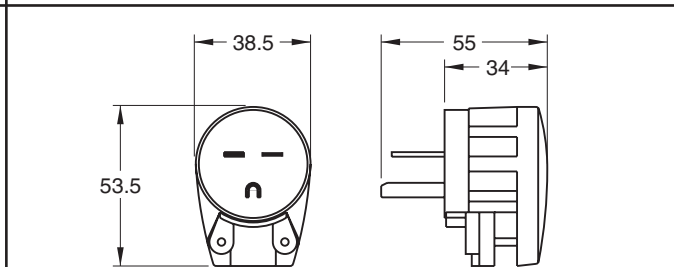
Cat. No. 5658-I

Page No. 157



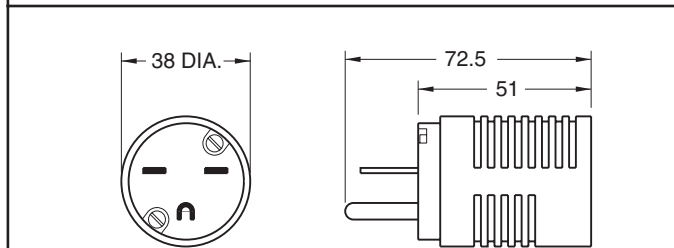
Cat. No. 5666-BK

Page No. 158



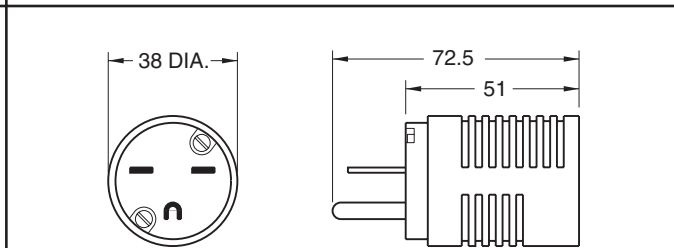
Cat. No. 5666-SSAN

Page No. 154



Cat. No. 5666-X

Page No. 158



Cat. No. 5666-XHG

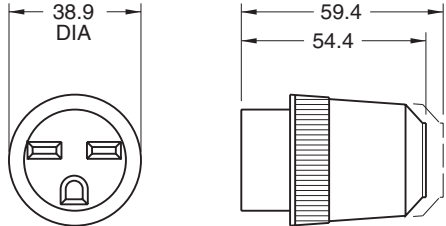
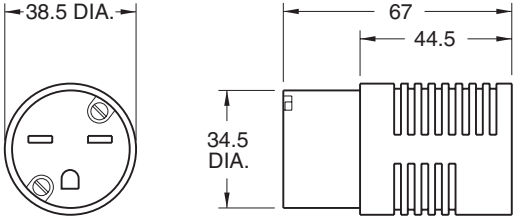
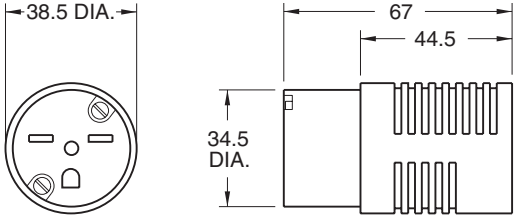
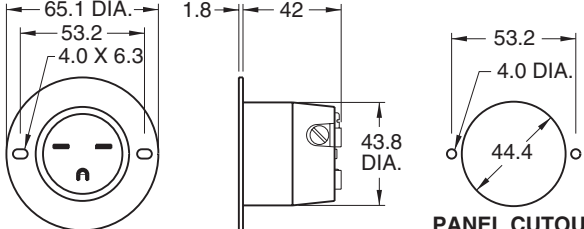
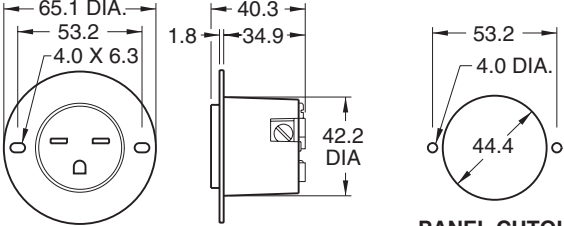
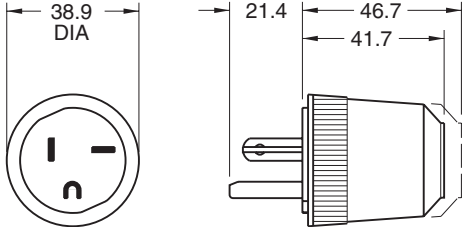
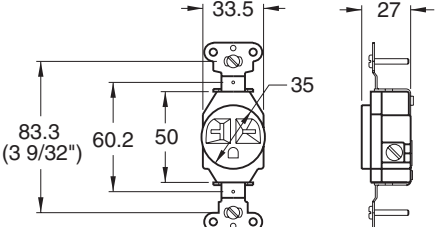
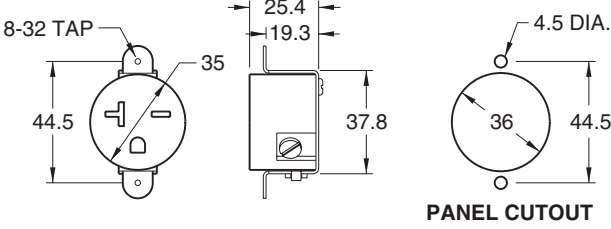
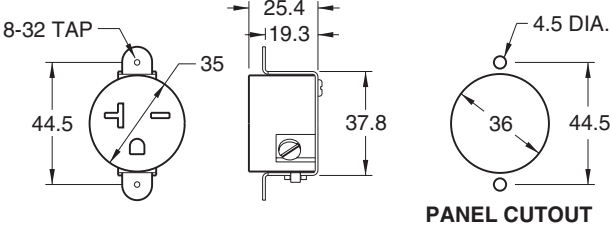
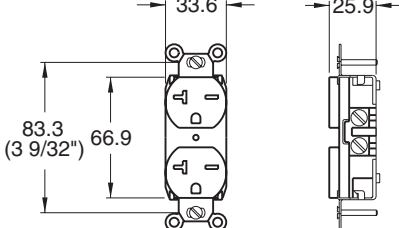
Page No. 154



DIMENSIONAL DATA

All Dimensions Are In Millimeters

(1 mm = 0.039")

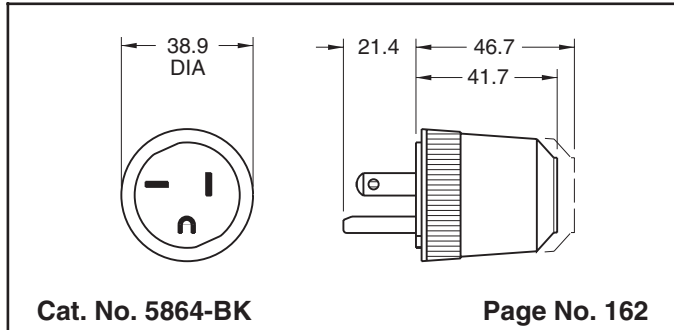
 <p>Cat. No.5669-BK Page No. 158</p>	 <p>Cat. No. 5669-X Page No. 158</p>
 <p>Cat. No. 5669-XHG Page No. 154</p>	 <p>Cat. No. 5678-SS Page No. 158</p>
 <p>Cat. No. 5679-SS Page No. 158</p>	 <p>Cat. No. 5765-BK Page No. 160</p>
 <p>Cat. No. 5851-I Page No. 161</p>	 <p>Cat. No. 5858 Page No. 161</p>
 <p>Cat. No. 5858-I Page No. 161</p>	 <p>Cat. No. 5862-I Page No. 161</p>



DIMENSIONAL DATA

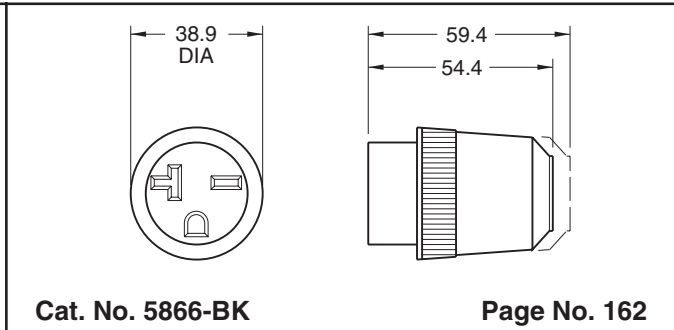
All Dimensions Are In Millimeters

(1 mm = 0.039")



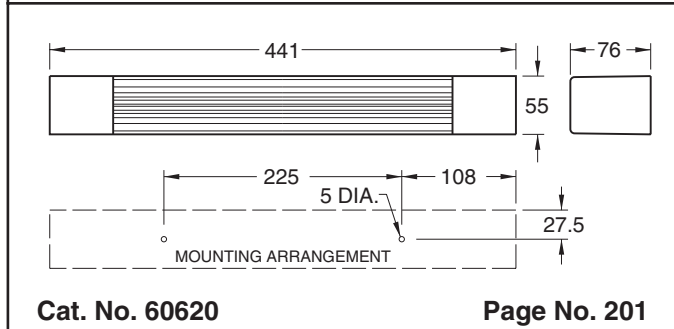
Cat. No. 5864-BK

Page No. 162



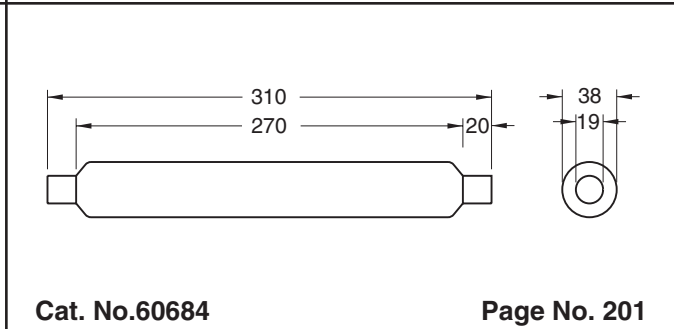
Cat. No. 5866-BK

Page No. 162



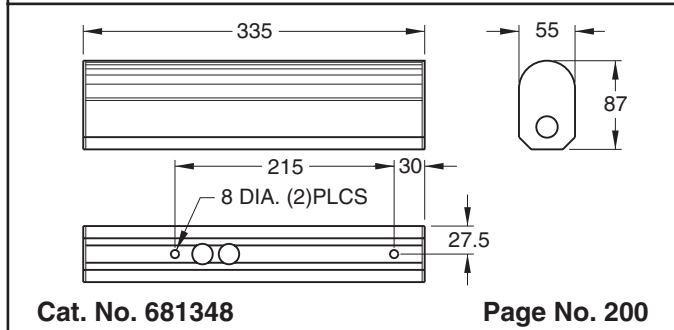
Cat. No. 60620

Page No. 201



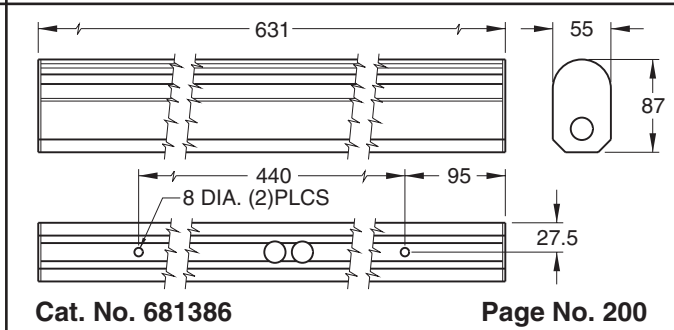
Cat. No. 60684

Page No. 201



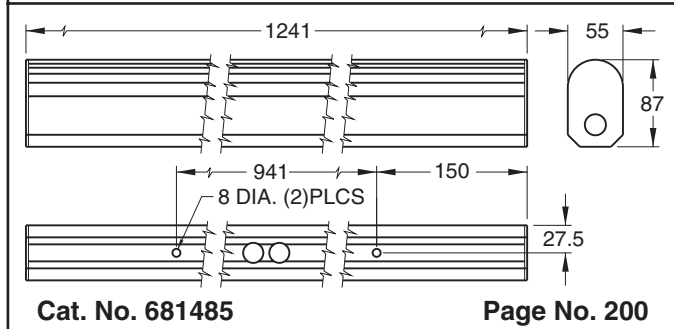
Cat. No. 681348

Page No. 200



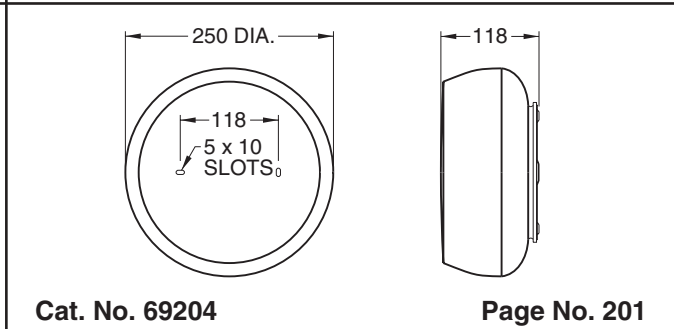
Cat. No. 681386

Page No. 200



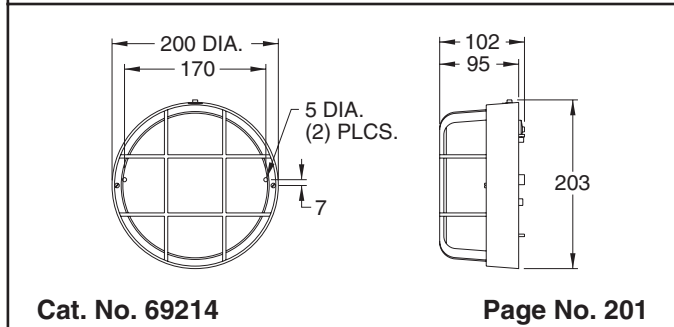
Cat. No. 681485

Page No. 200



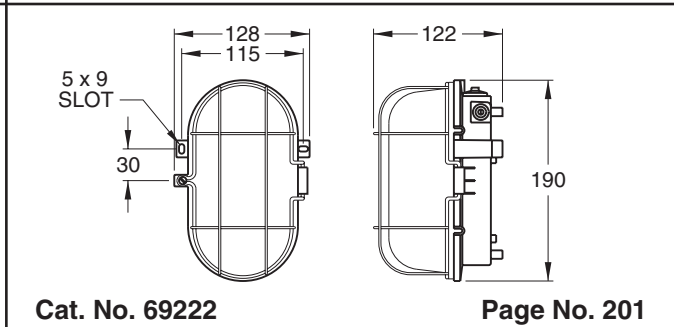
Cat. No. 69204

Page No. 201



Cat. No. 69214

Page No. 201

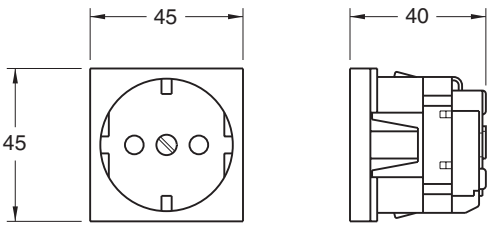
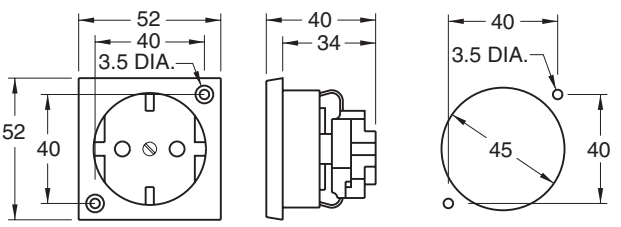
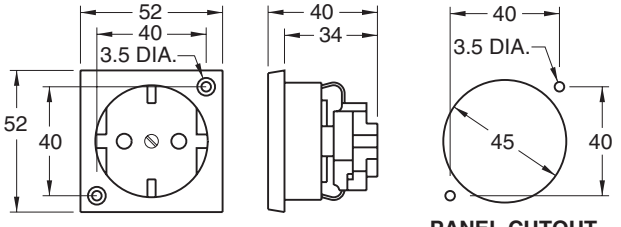
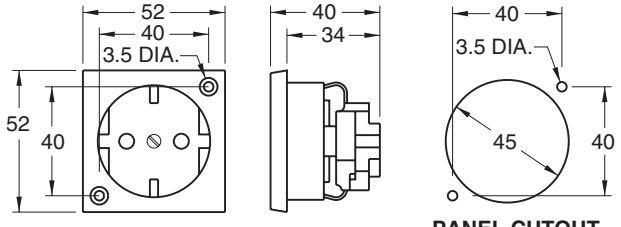
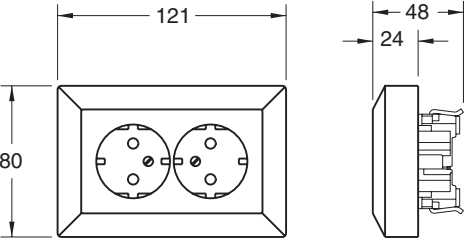
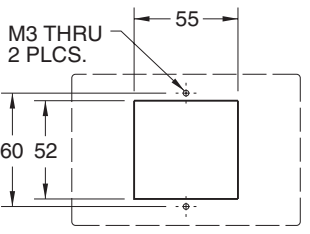
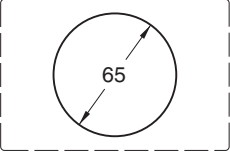
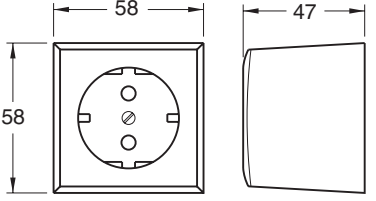
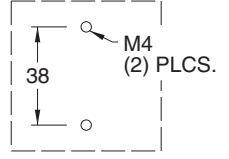
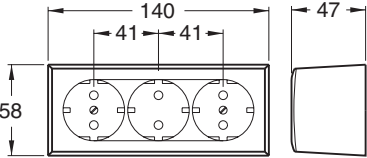
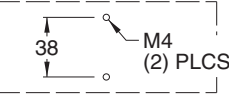
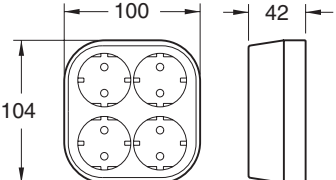
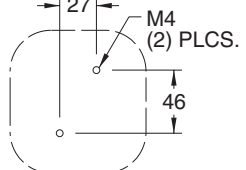


Cat. No. 69222

Page No. 201



DIMENSIONAL DATA
All Dimensions Are In Millimeters
 (1 mm = 0.039")

 <p>Cat. No. 70100x45 Page No. 96</p>	 <p>Cat. No. 70110 Page No. 61</p>
 <p>Cat. No. 70110-BLK Page No. 61</p>	 <p>Cat. No. 70110-RED Page No. 61</p>
   <p>Cat. No. 70114 Page No. 61</p>	  <p>Cat. No. 70115 Page No. 61</p>
  <p>Cat. No. 70117 Page No. 61</p>	  <p>Cat. No. 70118 Page No. 61</p>



DIMENSIONAL DATA
All Dimensions Are In Millimeters
 (1 mm = 0.039")

NOTE: FOR CLARITY THIS VIEW IS SHOWN WITH LIFT LID REMOVED

PANEL CUTOUT

Cat. No. 70120 **Page No. 61**

Cat. No. 74225 **Page No. 85**

Cat. No. 70127 **Page No. 64**

Cat. No. 70125 **Page No. 61**

Cat. No. 70130 **Page No. 60**

Cat. No. 70130-BLK **Page No. 60**

Cat. No. 70130A **Page No. 60**

Cat. No. 70139 **Page No. 60**

Cat. No. 70140 **Page No. 60**



DIMENSIONAL DATA
All Dimensions Are In Millimeters
 (1 mm = 0.039")

<p>Cat. No. 70140-RCD Page No. 60</p>	<p>Cat. No. 70141 Page No. 60</p>
<p>Cat. No. 70142 Page No. 60</p>	<p>Cat. No. 70142A Page No. 60</p>
<p>Cat. No. 70150 Page No. 60</p>	<p>Cat. No. 70161 Page No. 60</p>
<p>Cat. No. 70170 Page No. 60</p>	<p>Cat. No. 70180 Page No. 60</p> <p>MOUNTING ARRANGEMENT</p>
<p>Cat. No. 70190 Page No. 60</p> <p>MOUNTING ARRANGEMENT</p>	<p>Cat. No. 70195 Page No. 60</p> <p>FOR CLARITY THIS VIEW IS SHOWN WITH LIFT LID BROKEN</p> <p>PANEL CUTOUT</p>



DIMENSIONAL DATA

All Dimensions Are In Millimeters

(1 mm = 0.039")

FOR CLARITY THIS VIEW IS SHOWN WITH LIFT LID BROKEN

Cat. No. 70198 **Page No. 63**

Cat. No. 70200x45 **Page No. 86**

NOTE: FOR CLARITY THIS VIEW IS SHOWN WITH LIFT LIDS BROKEN

Cat. No. 70225 **Page No. 61**

Cat. No. 702708 **Page No. 200**

Cat. No. 70300 **Page No. 62**

Cat. No. 70310 **Page No. 62**

Cat. No. 70325 **Page No. 62**

Cat. No. 70325A **Page No. 62**

FOR CLARITY THESE VIEWS ARE SHOWN WITHOUT COVER

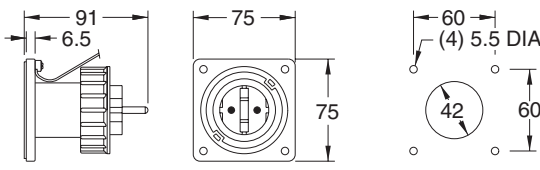
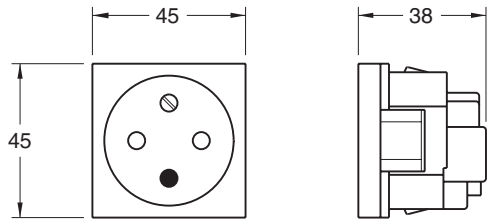
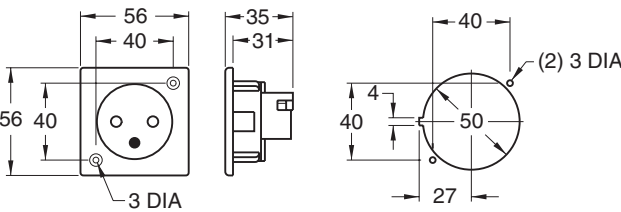
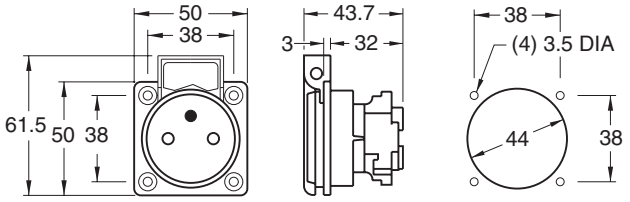
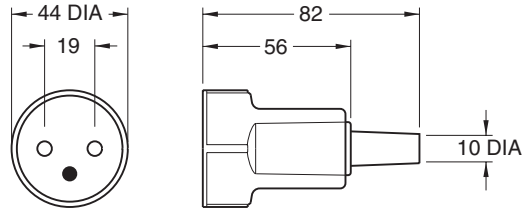
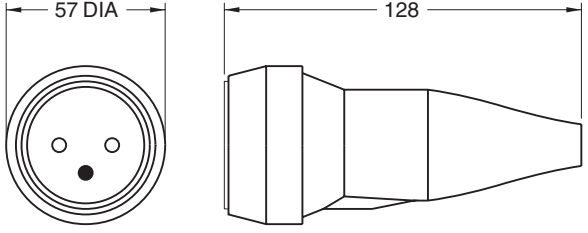
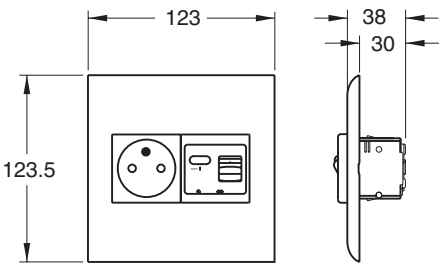
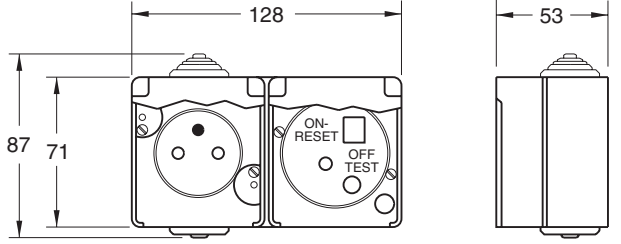
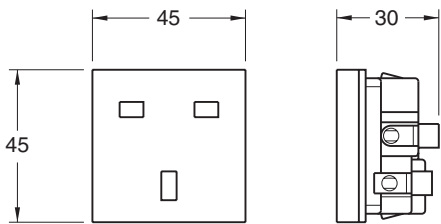
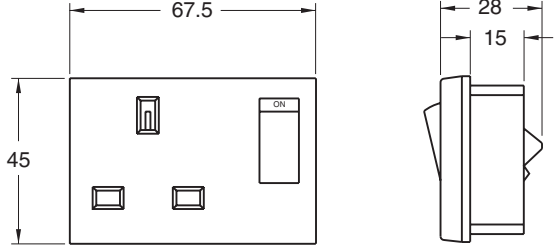
Cat. No. 70341 **Page No. 62**

Cat. No. 70361 **Page No. 62**



DIMENSIONAL DATA

All Dimensions Are In Millimeters
(1 mm = 0.039")

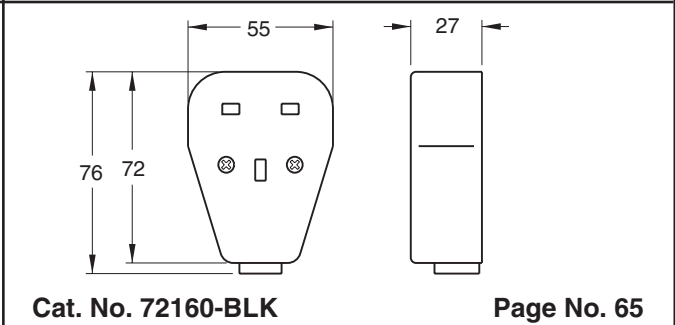
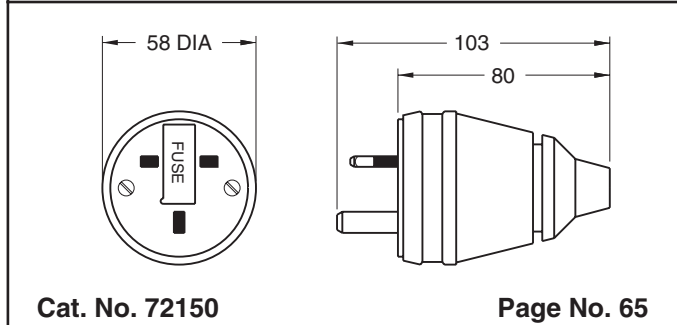
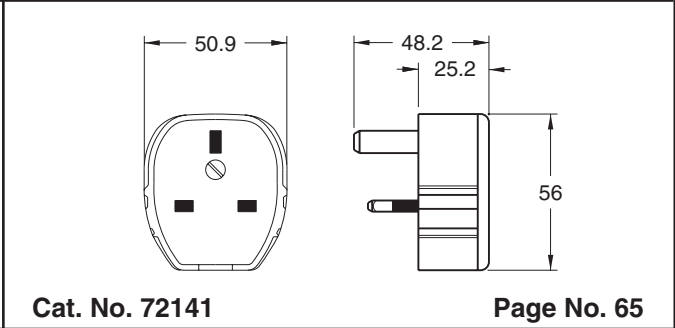
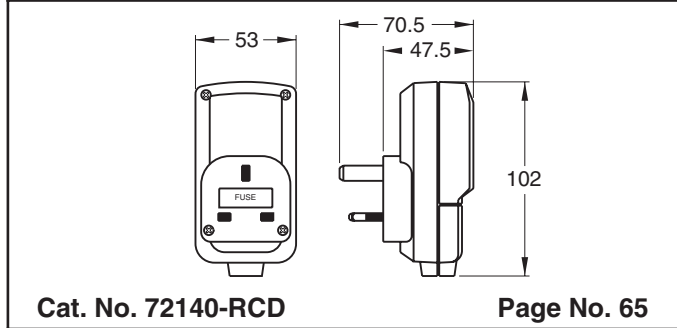
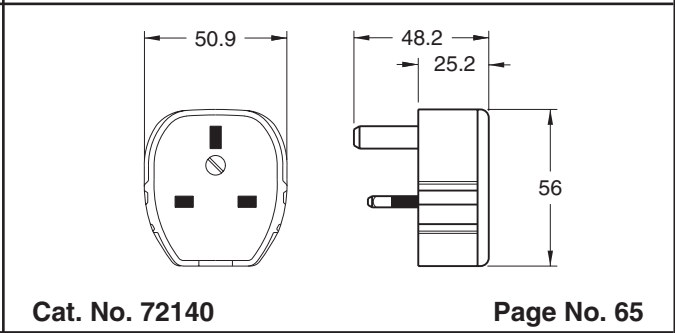
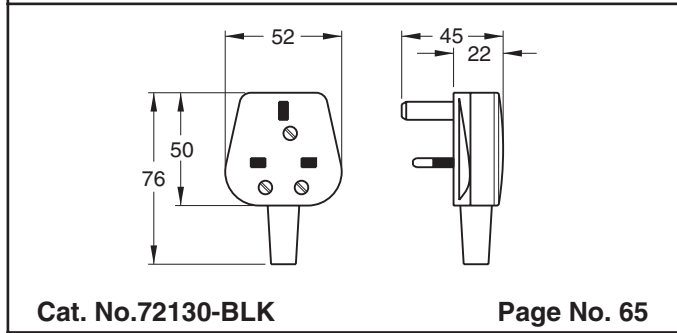
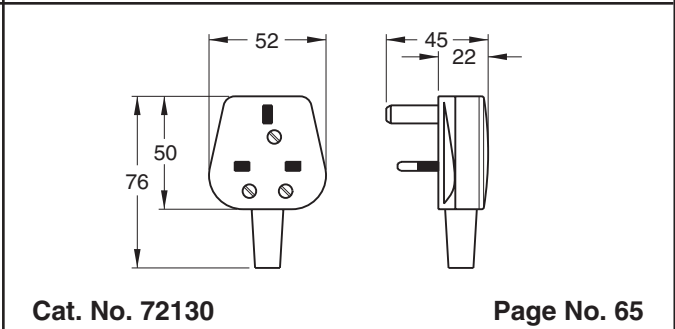
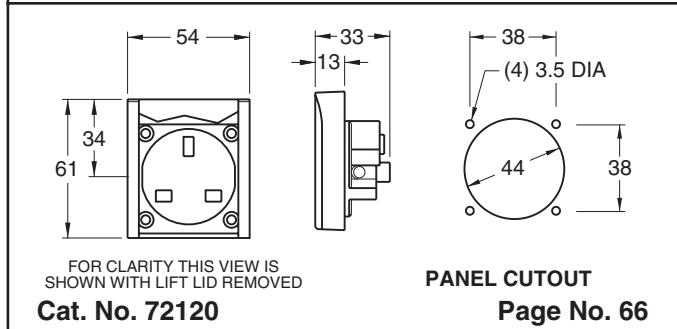
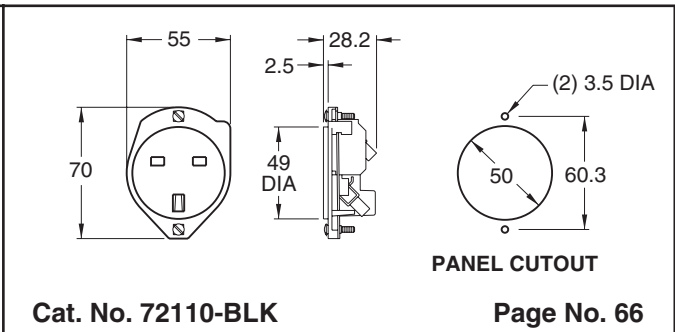
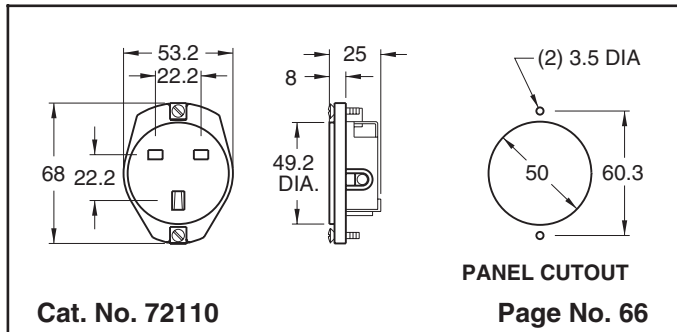
 <p>FOR CLARITY THESE VIEWS ARE SHOWN WITHOUT COVER</p> <p>PANEL CUTOUT</p> <p>Cat. No. 70395 Page No. 62</p>	 <p>Cat. No. 71100x45 Page No. 96</p>
 <p>PANEL CUTOUT</p> <p>Cat. No. 71110 Page No. 64</p>	 <p>NOTE: FOR CLARITY THIS VIEW IS SHOWN WITH LIFT LID REMOVED</p> <p>PANEL CUTOUT</p> <p>Cat. No. 71120 Page No. 64</p>
 <p>Cat. No. 71161 Page No. 63</p>	 <p>Cat. No. 71170 Page No. 63</p>
 <p>Cat. No. 71200x45 Page No. 87</p>	 <p>NOTE: FOR CLARITY THIS VIEW IS SHOWN WITH LIFT LIDS BROKEN</p> <p>Cat. No. 71225 Page No. 64</p>
 <p>Cat. No. 72100x45 Page No. 96</p>	 <p>Cat. No. 72105x45 Page No. 97</p>



DIMENSIONAL DATA

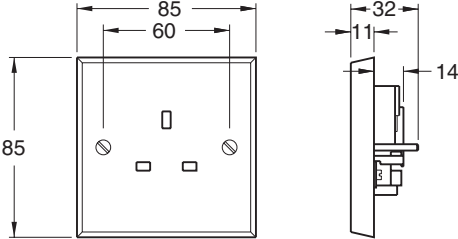
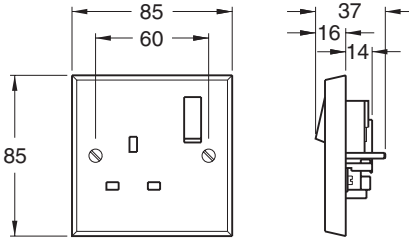
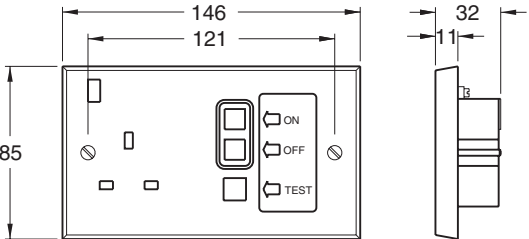
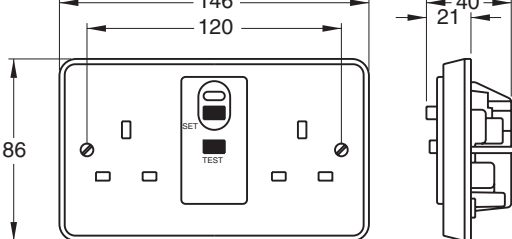
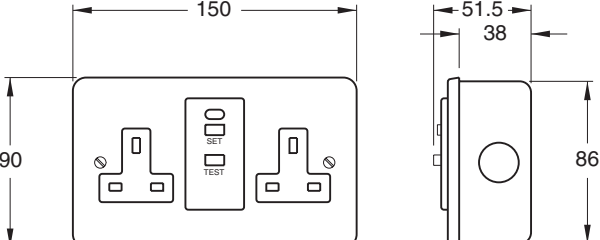
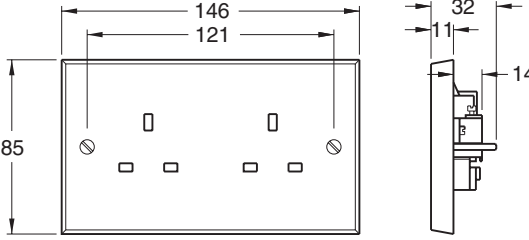
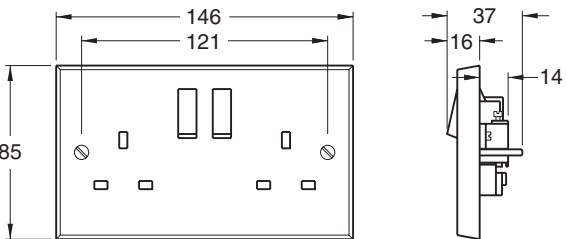
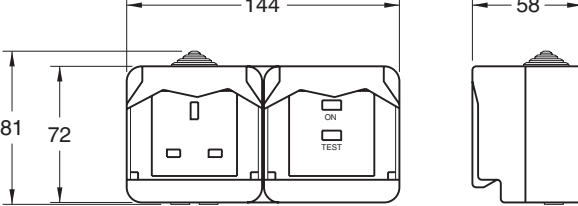
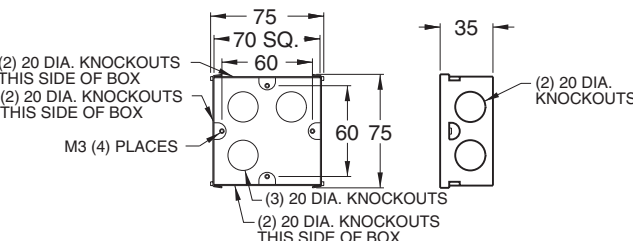
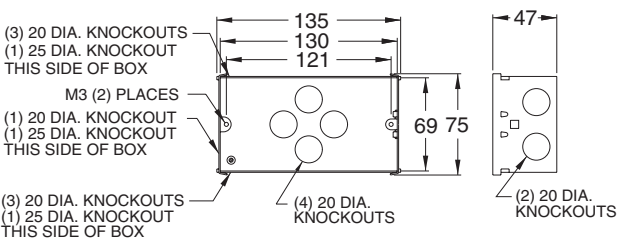
All Dimensions Are In Millimeters

(1 mm = 0.039")



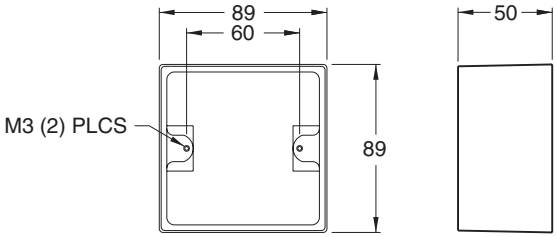
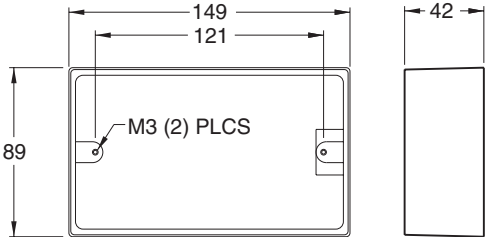

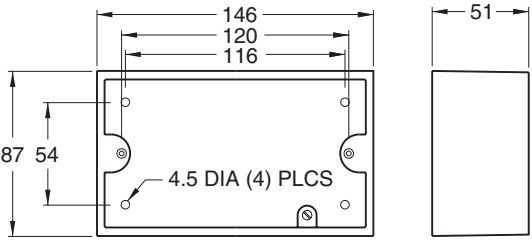
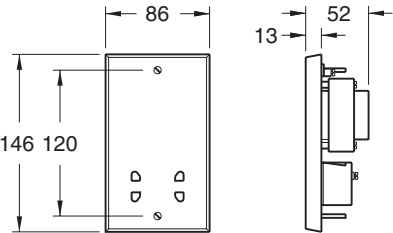
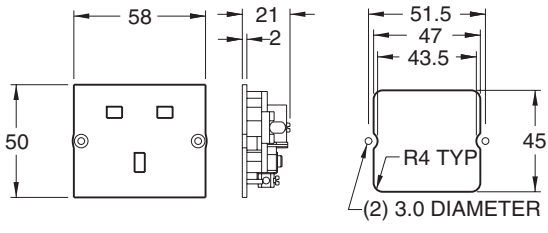
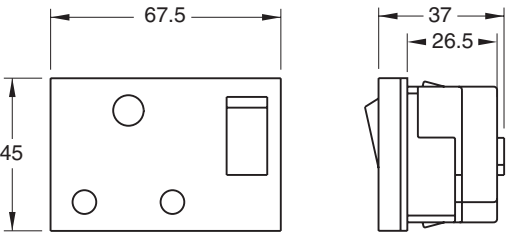
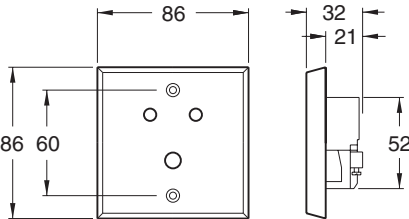
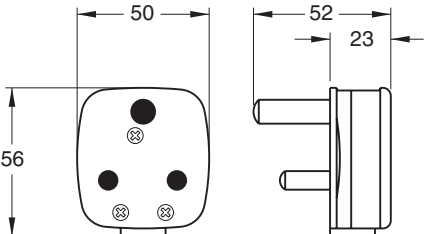
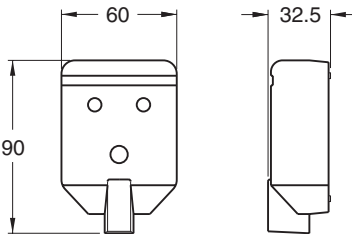
DIMENSIONAL DATA

All Dimensions Are In Millimeters
(1 mm = 0.039")

 <p>Cat. No. 72215 Page No. 66</p>	 <p>Cat. No. 72220 Page No. 66</p>
 <p>Cat. No. 72300 Page No. 66</p>	 <p>Cat. No. 72300-D Page No. 66</p>
 <p>Cat. No. 72300-DSM Page No. 66</p>	 <p>Cat. No. 72316 Page No. 66</p>
 <p>Cat. No. 72320 Page No. 66</p>	 <p>Cat. No. 72325 Page No. 66</p>
 <p>Cat. No. 72350 Page No. 81</p>	 <p>Cat. No. 72355 Page No. 85</p>



DIMENSIONAL DATA
All Dimensions Are In Millimeters
 (1 mm = 0.039")

 <p>M3 (2) PLCS</p> <p>Cat. No. 72360</p> <p>Page No. 81</p>	 <p>M3 (2) PLCS</p> <p>Cat. No. 72365</p> <p>Page No. 85</p>
 <p>25</p> <p>6 DIA.</p> <p>Cat. No. 72403, 72405, 72410, 72413</p> <p>Page No. 65</p>	 <p>4.5 DIA (4) PLCS</p> <p>Cat. No. 72440</p> <p>Page No. 85</p>
 <p>146 120</p> <p>86</p> <p>52</p> <p>13</p> <p>Cat. No. 72450</p> <p>Page No. 85</p>	 <p>58</p> <p>50</p> <p>21</p> <p>2</p> <p>51.5</p> <p>47</p> <p>43.5</p> <p>45</p> <p>R4 TYP</p> <p>(2) 3.0 DIAMETER</p> <p>PANEL CUTOUT</p> <p>Cat. No. 72495</p> <p>Page No. 66</p>
 <p>67.5</p> <p>45</p> <p>37</p> <p>26.5</p> <p>Cat. No. 73100x45</p> <p>Page No. 97</p>	 <p>86</p> <p>86</p> <p>60</p> <p>32</p> <p>21</p> <p>52</p> <p>Cat. No. 73110</p> <p>Page No. 67</p>
 <p>50</p> <p>56</p> <p>52</p> <p>23</p> <p>Cat. No. 73130</p> <p>Page No. 67</p>	 <p>60</p> <p>90</p> <p>32.5</p> <p>Cat. No. 73160</p> <p>Page No. 67</p>



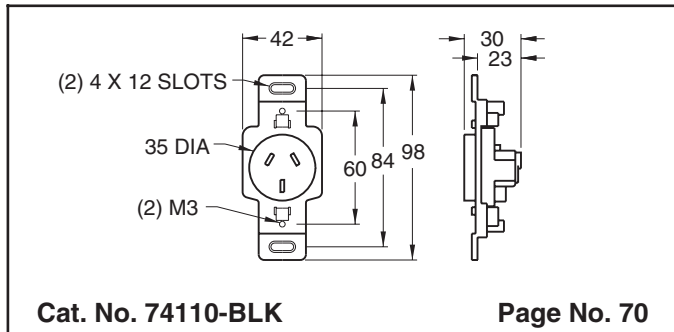
DIMENSIONAL DATA

All Dimensions Are In Millimeters (1 mm = 0.039")

<p>Cat. No. 73210</p> <p>PANEL CUTOUT Page No. 67</p>	<p>Cat. No. 73310</p> <p>Page No. 68</p>
<p>Cat. No. 73330</p> <p>Page No. 68</p>	<p>Cat. No. 73530</p> <p>Page No. 67</p>
<p>Cat. No. 73550</p> <p>Page No. 67</p>	<p>Cat. No. 73570</p> <p>Page No. 67</p>
<p>Cat. No. 74100</p> <p>Page No. 70</p>	<p>Cat. No. 74100-BLK</p> <p>Page No. 70</p>
<p>Cat. No. 74105x45</p> <p>Page No. 97</p>	<p>Cat. No. 74110</p> <p>Page No. 70</p>

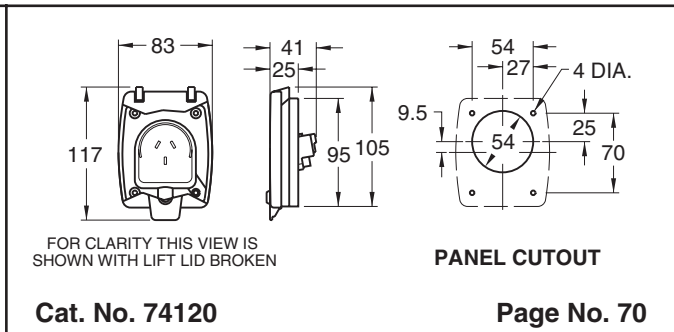


DIMENSIONAL DATA
All Dimensions Are In Millimeters
 (1 mm = 0.039")



Cat. No. 74110-BLK

Page No. 70

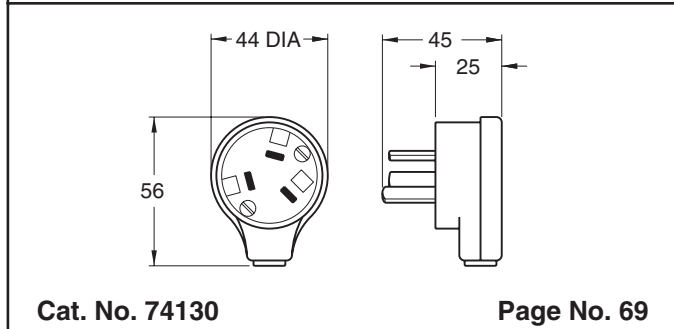


FOR CLARITY THIS VIEW IS SHOWN WITH LIFT LID BROKEN

PANEL CUTOUT

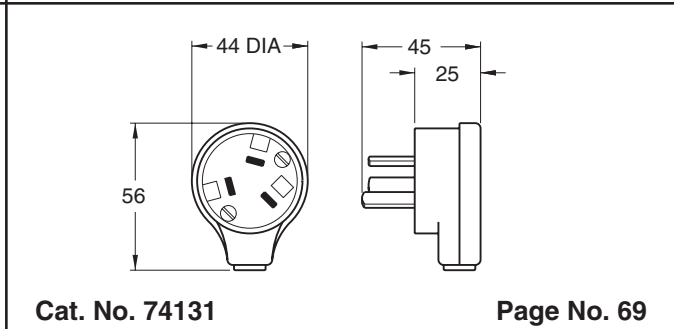
Cat. No. 74120

Page No. 70



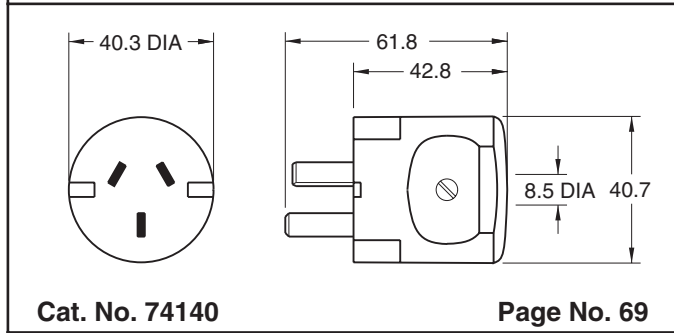
Cat. No. 74130

Page No. 69



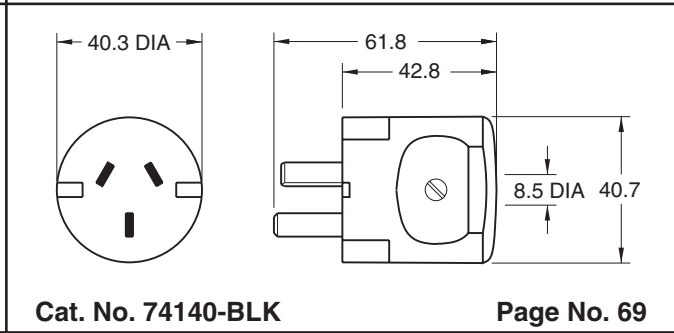
Cat. No. 74131

Page No. 69



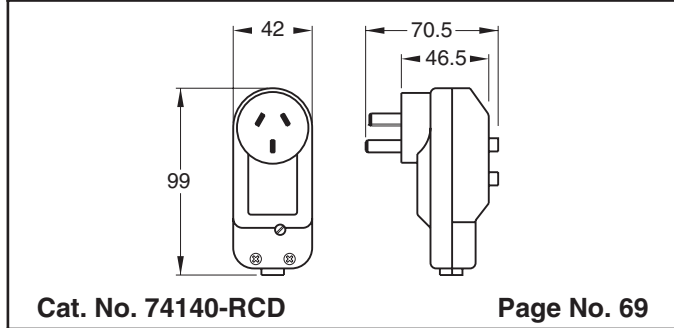
Cat. No. 74140

Page No. 69



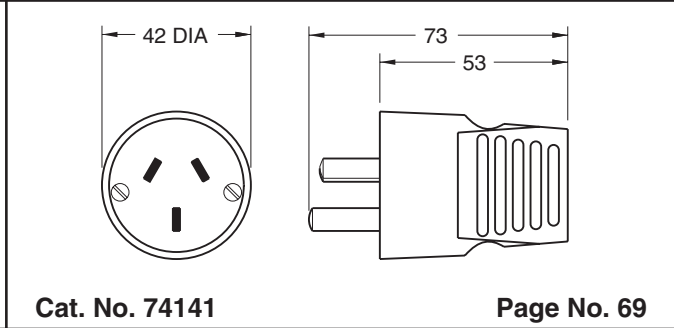
Cat. No. 74140-BLK

Page No. 69



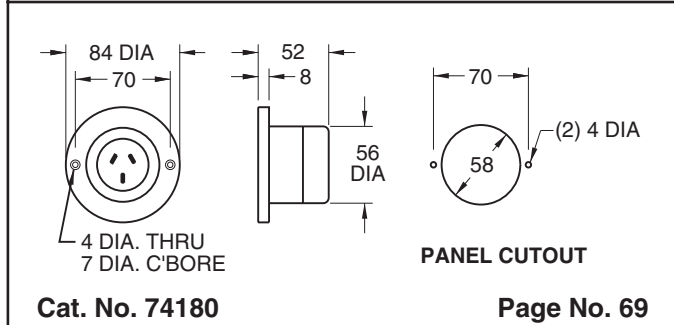
Cat. No. 74140-RCD

Page No. 69



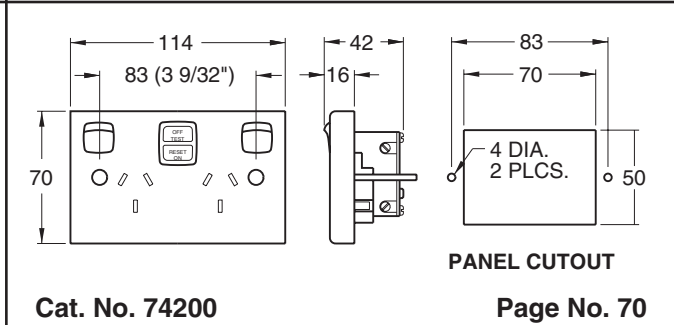
Cat. No. 74141

Page No. 69



Cat. No. 74180

Page No. 69



Cat. No. 74200

Page No. 70



DIMENSIONAL DATA

All Dimensions Are In Millimeters
(1 mm = 0.039")

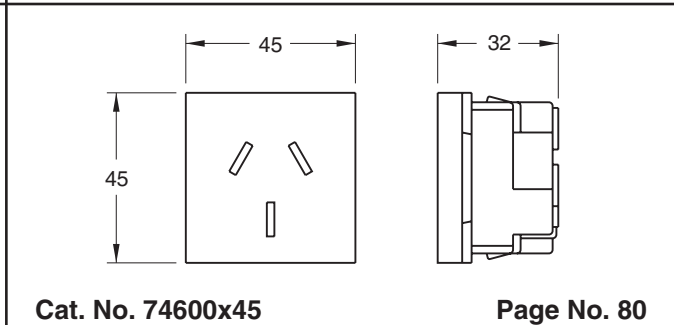
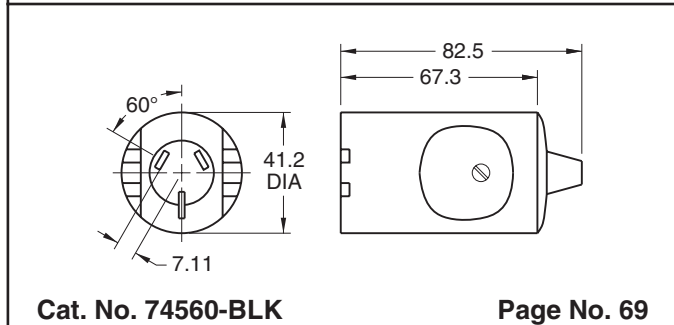
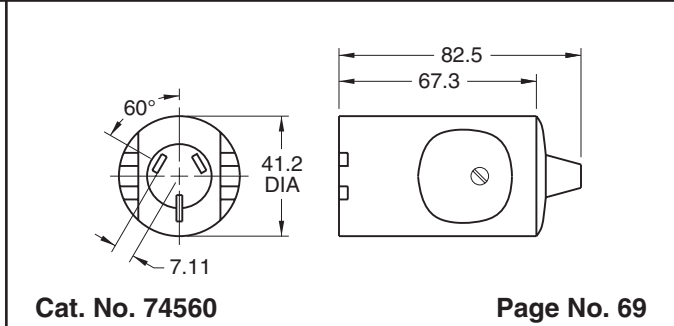
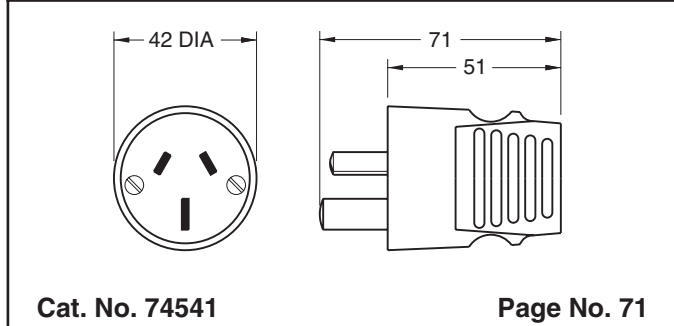
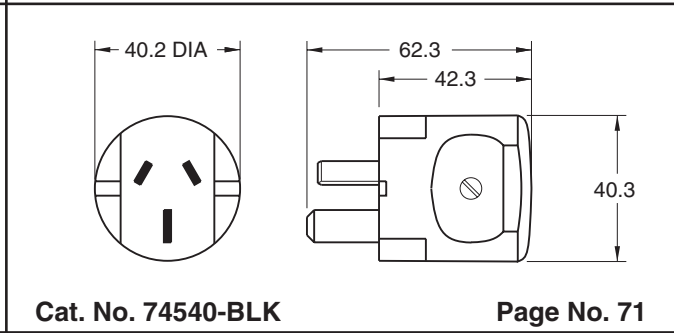
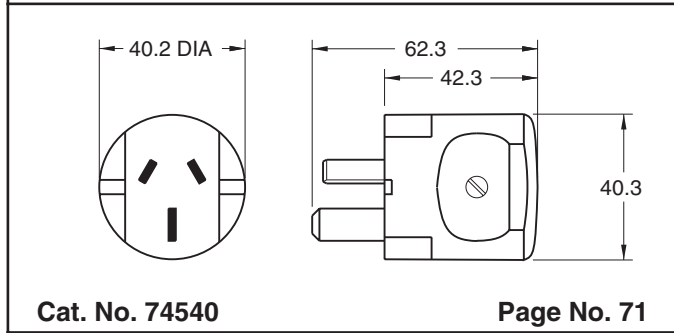
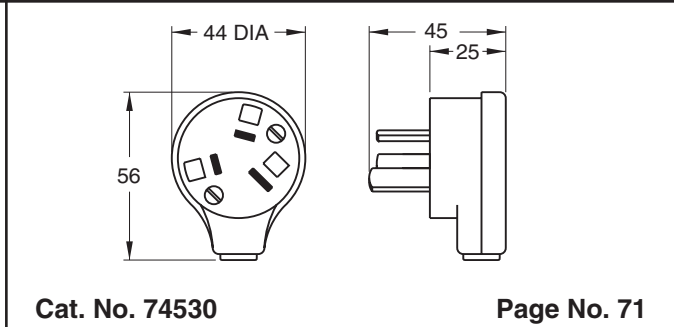
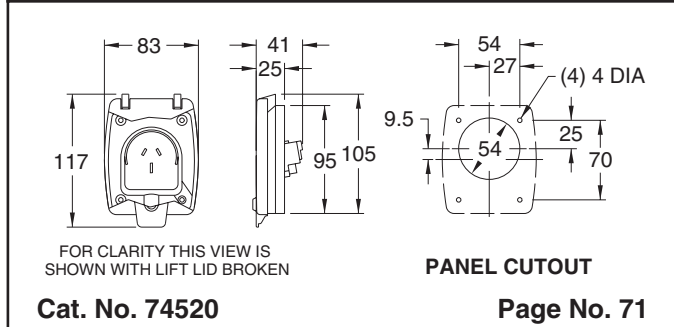
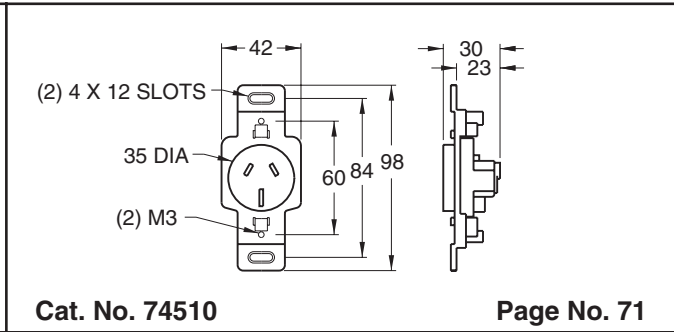
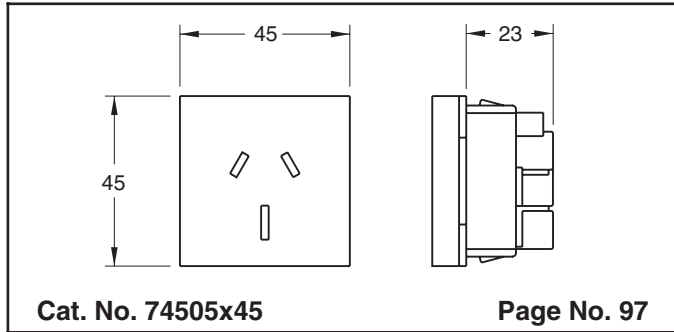
<p>Cat. No. 74210 Page No. 70</p>	<p>Cat. No. 74220 Page No. 70</p>
<p>Cat. No. 74335 Page No. 87</p>	<p>Cat. No. 74452x45 Page No. 99</p>
<p>Cat. No. 74453x45 Page No. 99</p>	<p>Cat. No. 74456x45 Page No. 99</p>
<p>Cat. No. 74457x45 Page No. 99</p>	<p>Cat. No. 74458x45 Page No. 99</p>
<p>Cat. No. 74459x45 Page No. 99</p>	<p>Cat. No. 74500 Page No. 71</p>



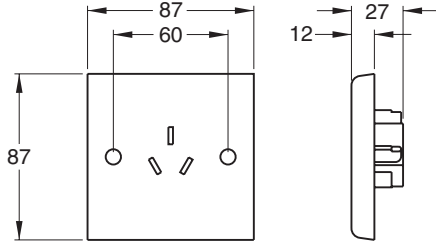
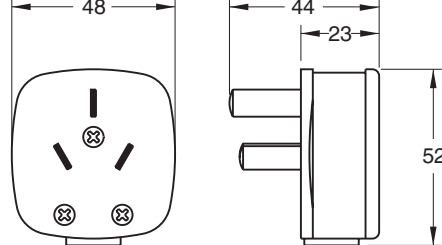
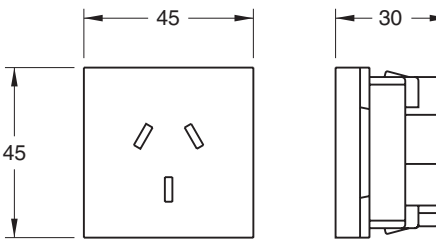
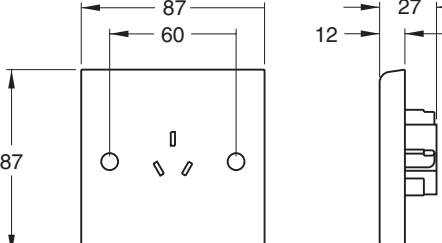
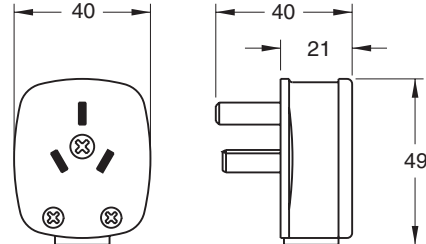
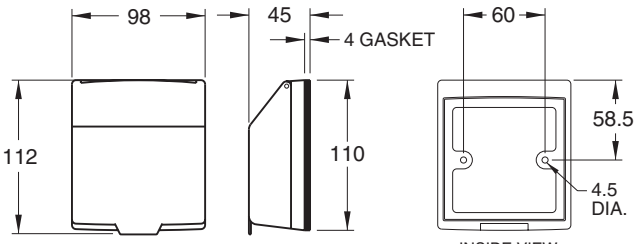
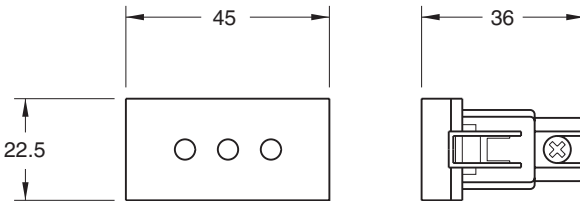
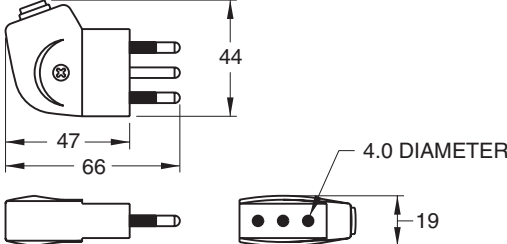
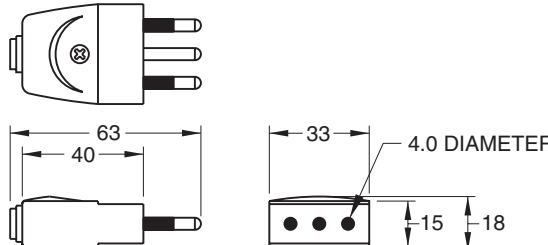
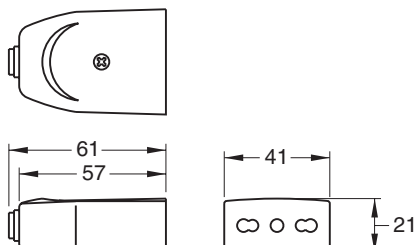
DIMENSIONAL DATA

All Dimensions Are In Millimeters

(1 mm = 0.039")



DIMENSIONAL DATA
All Dimensions Are In Millimeters
 (1 mm = 0.039")

 <p>Cat. No. 74615 Page No. 80</p>	 <p>Cat. No. 74630 Page No. 80</p>
 <p>Cat. No. 74700x45 Page No. 79</p>	 <p>Cat. No. 74715 Page No. 79</p>
 <p>Cat. No. 74730 Page No. 79</p>	 <p>Cat. No. 74790 Page No. 79</p>
 <p>Cat. No. 75100x45 Page No. 96</p>	 <p>Cat. No. 75130 Page No. 72</p>
 <p>Cat. No. 75140 Page No. 72</p>	 <p>Cat. No. 75160 Page No. 72</p>



DIMENSIONAL DATA
All Dimensions Are In Millimeters
 (1 mm = 0.039")

Cat. No. 75500x45 **Page No. 96**

Cat. No. 75520 **Page No. 72**

NOTE: FOR CLARITY THIS VIEW IS SHOWN WITH LIFT LID REMOVED

PANEL CUTOUT

Cat. No. 75530 **Page No. 73**

Cat. No. 75540 **Page No. 73**

Cat. No. 76100x45 **Page No. 96**

Cat. No. 76101x45 **Page No. 96**

Cat. No. 76110 **Page No. 74**

PANEL CUTOUT

Cat. No. 76120 **Page No. 74**

NOTE: FOR CLARITY THIS VIEW IS SHOWN WITH LIFT LID REMOVED

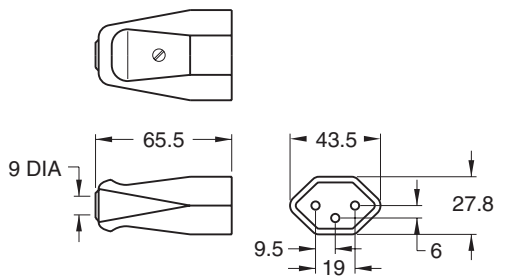
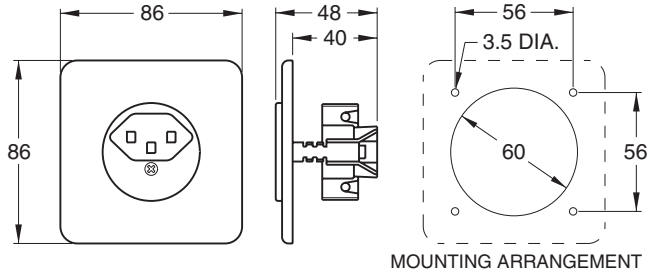
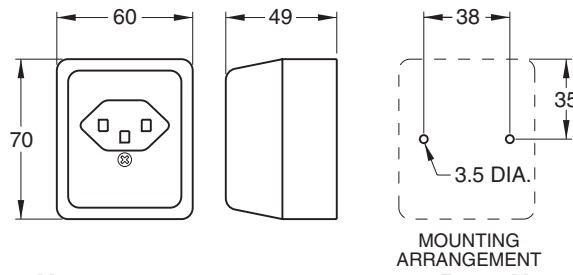
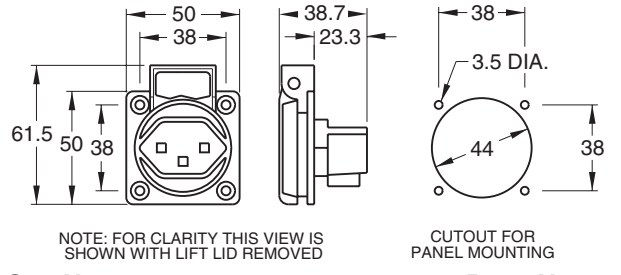
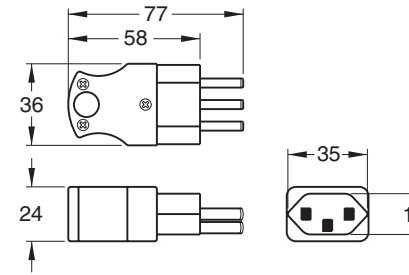
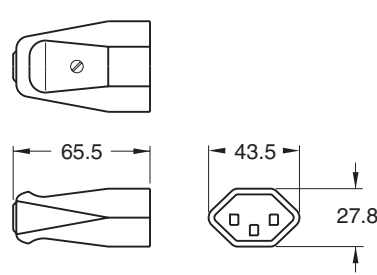
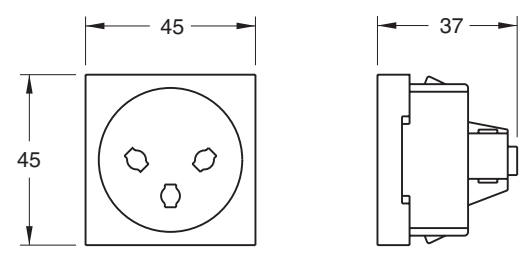
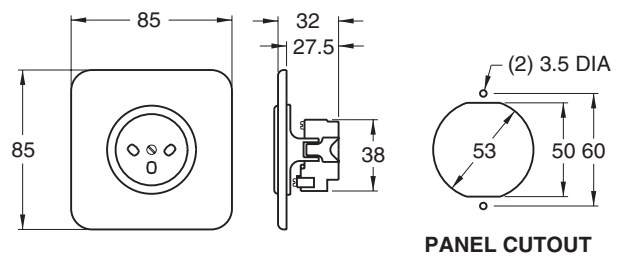
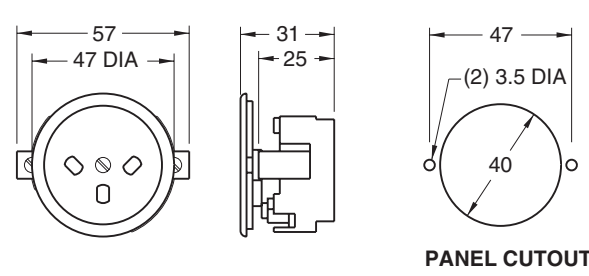
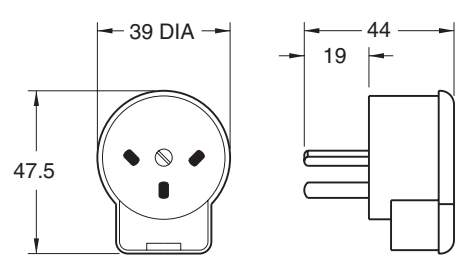
PANEL CUTOUT

Cat. No. 76140 **Page No. 74**

Cat. No. 76143x45 **Page No. 96**



DIMENSIONAL DATA
All Dimensions Are In Millimeters
 (1 mm = 0.039")

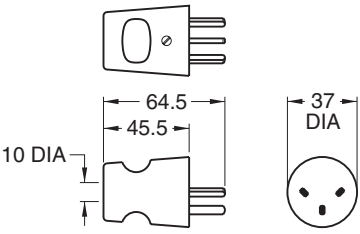
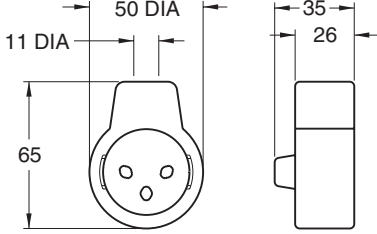
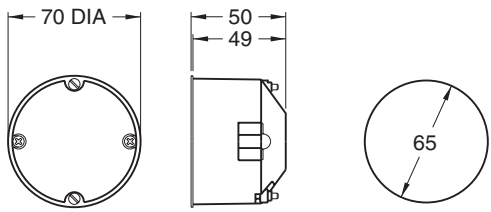
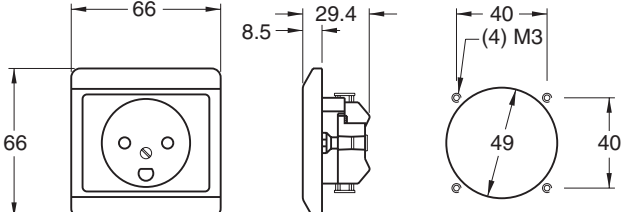
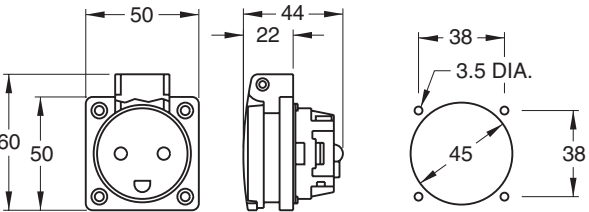
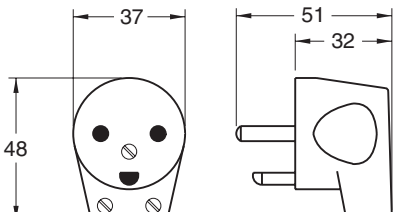
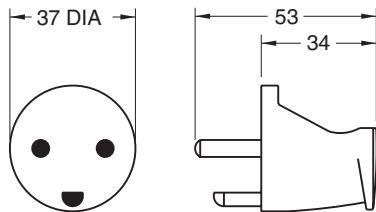
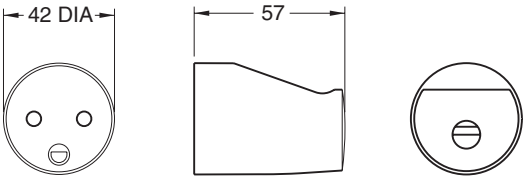
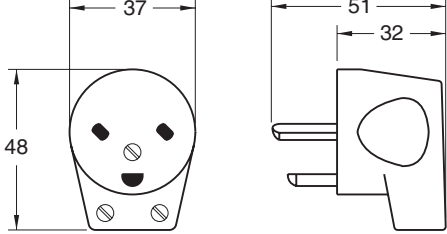
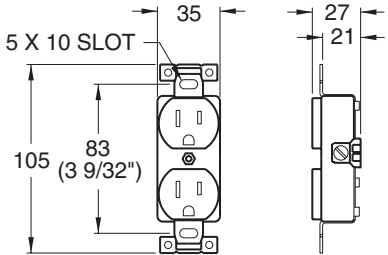
 <p>Cat. No. 76160 Page No. 74</p>	 <p>Cat. No. 76510 Page No. 75</p>
 <p>Cat. No. 76515 Page No. 75</p>	 <p>Cat. No. 76520 Page No. 75</p> <p>NOTE: FOR CLARITY THIS VIEW IS SHOWN WITH LIFT LID REMOVED</p>
 <p>Cat. No. 76540 Page No. 75</p>	 <p>Cat. No. 76560 Page No. 75</p>
 <p>Cat. No. 77100x45 Page No. 96</p>	 <p>Cat. No. 77110 Page No. 76</p>
 <p>Cat. No. 77115 Page No. 76</p>	 <p>Cat. No. 77130 Page No. 76</p>



DIMENSIONAL DATA

All Dimensions Are In Millimeters

(1 mm = 0.039")

 <p>Cat. No. 77140 Page No. 76</p>	 <p>Cat. No. 77160 Page No. 76</p>
 <p>Cat. No. 77190 Page No. 76</p> <p style="text-align: center;">PANEL CUTOUT</p>	 <p>Cat. No. 78117 Page No. 77</p> <p style="text-align: center;">PANEL CUTOUT</p>
 <p>Cat. No. 78120 Page No. 77</p> <p style="text-align: center;">PANEL CUTOUT</p> <p><small>NOTE: FOR CLARITY THIS VIEW IS SHOWN WITH LIFT LID REMOVED</small></p>	 <p>Cat. No. 78130 Page No. 77</p>
 <p>Cat. No. 78140 Page No. 77</p>	 <p>Cat. No. 78160 Page No. 77</p>
 <p>Cat. No. 78230 Page No. 77</p>	 <p>Cat. No. 78500 Page No. 82</p>

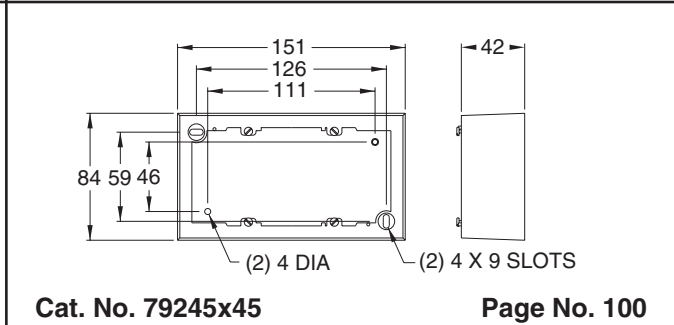
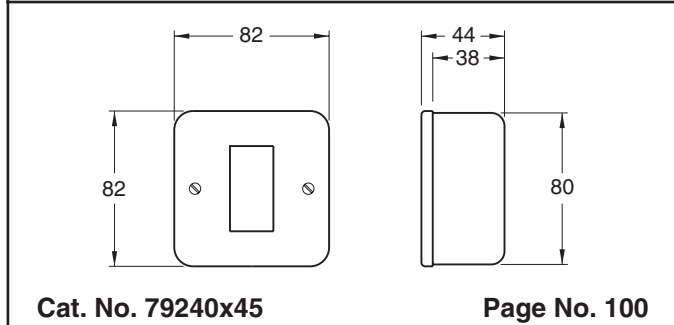
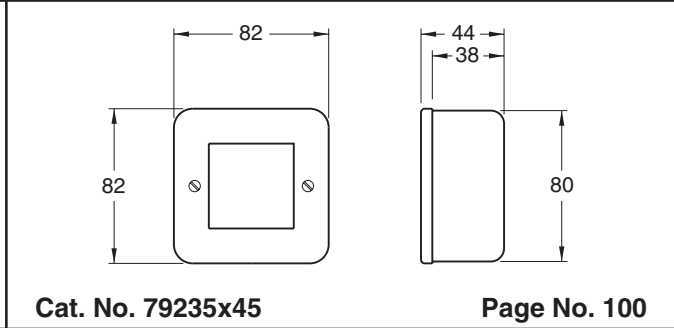
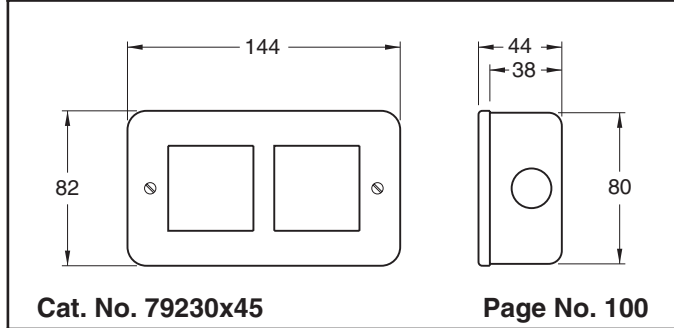
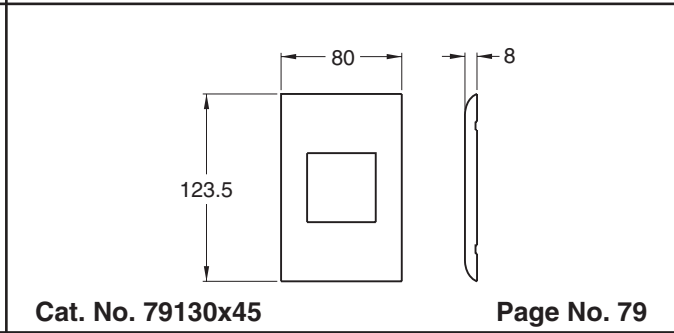
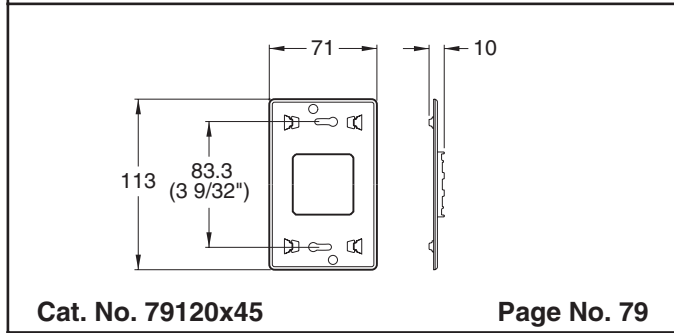
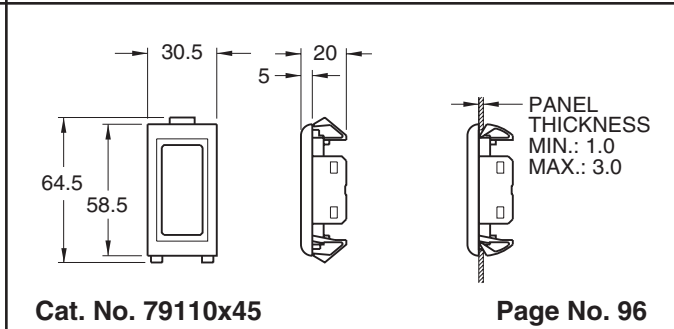
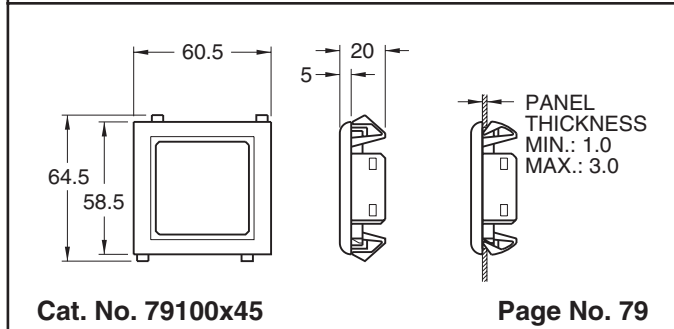
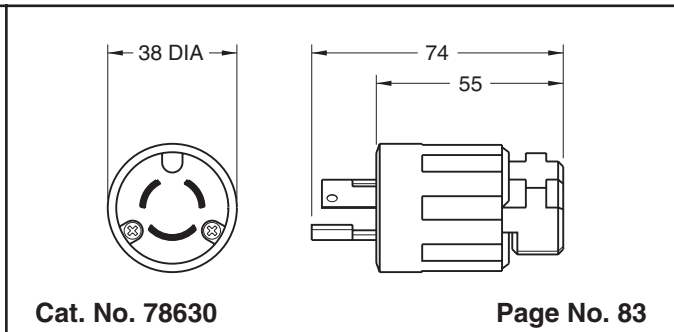
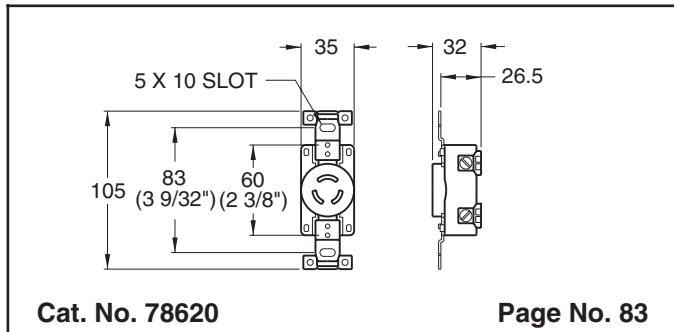


DIMENSIONAL DATA
All Dimensions Are In Millimeters
 (1 mm = 0.039")

<p>Cat. No. 78510 Page No. 82</p>	<p>Cat. No. 78520 Page No. 82</p>
<p>Cat. No. 78530 Page No. 82</p>	<p>Cat. No. 78540 Page No. 82</p>
<p>Cat. No. 78550 Page No. 82</p>	<p>Cat. No. 78560 Page No. 82</p>
<p>Cat. No. 78570 Page No. 82</p>	<p>Cat. No. 78600 Page No. 83</p>
<p>Cat. No. 78605 Page No. 83</p>	<p>Cat. No. 78610 Page No. 83</p>

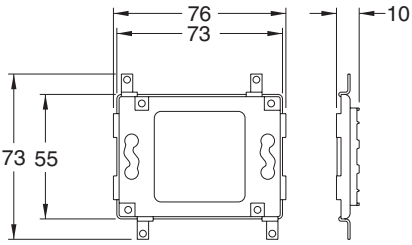
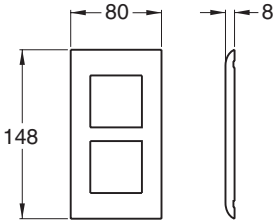
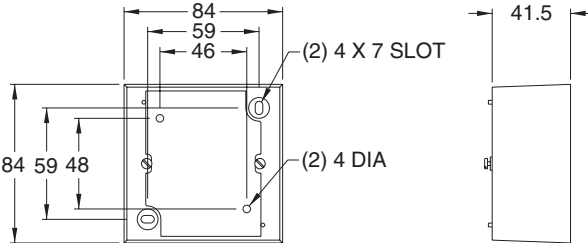
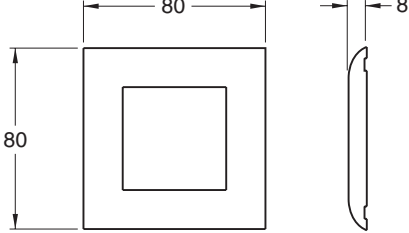
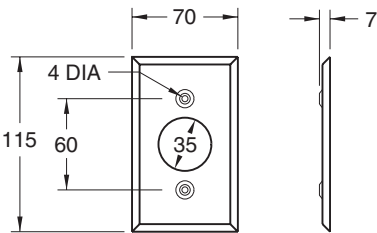
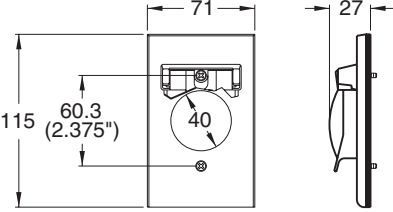
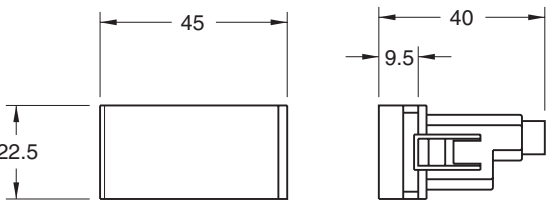
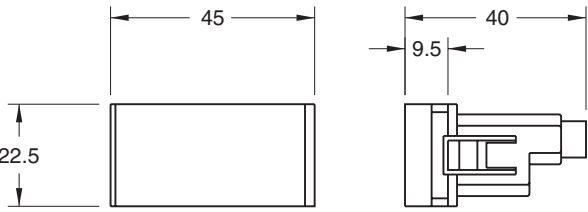
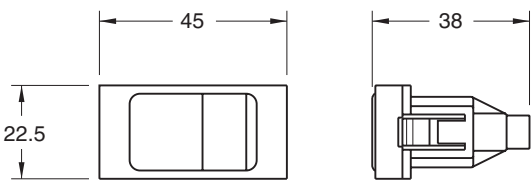
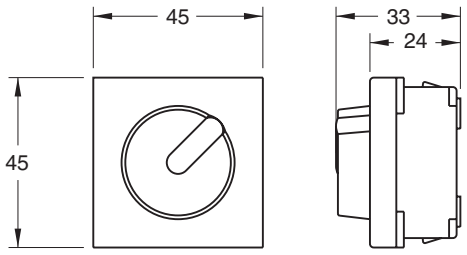


DIMENSIONAL DATA
All Dimensions Are In Millimeters
 (1 mm = 0.039")



DIMENSIONAL DATA

All Dimensions Are In Millimeters
(1 mm = 0.039")

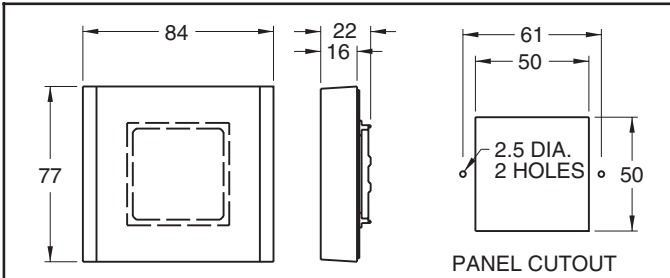
 <p>Cat. No. 79250x45 Page No. 81</p>	 <p>Cat. No. 79255x45 Page No. 81</p>
 <p>Cat. No. 79260x45 Page No. 81</p>	 <p>Cat. No. 79265x45 Page No. 81</p>
 <p>Cat. No. 79400 Page No. 70</p>	 <p>Cat. No. 79410 Page No. 70</p> <p style="text-align: center; font-size: small;">FOR CLARITY THIS VIEW IS SHOWN WITH LIFT LID BROKEN</p>
 <p>Cat. No. 79510x45 Page No. 98</p>	 <p>Cat. No. 79520x45 Page No. 98</p>
 <p>Cat. No. 79530x45 Page No. 98</p>	 <p>Cat. No. 79550x45 Page No. 98</p>



DIMENSIONAL DATA

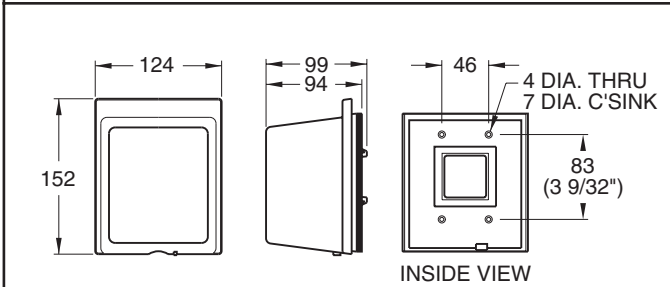
All Dimensions Are In Millimeters

(1 mm = 0.039")



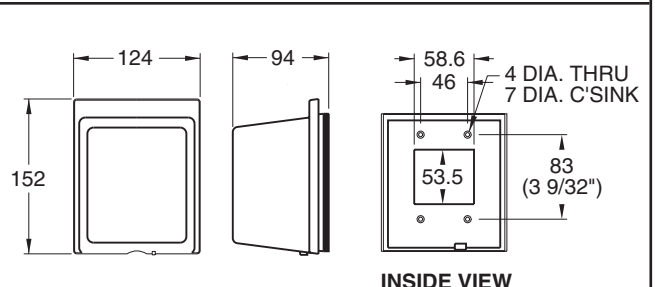
Cat. No. 79570x45

Page No. 79



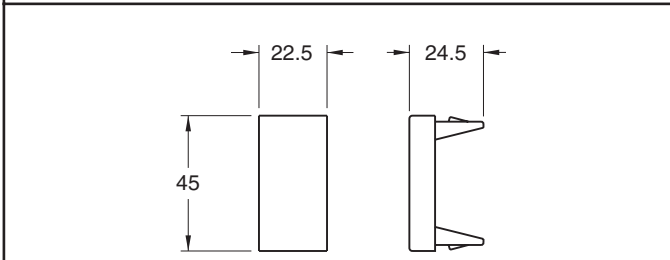
Cat. No. 79575x45

Page No. 85



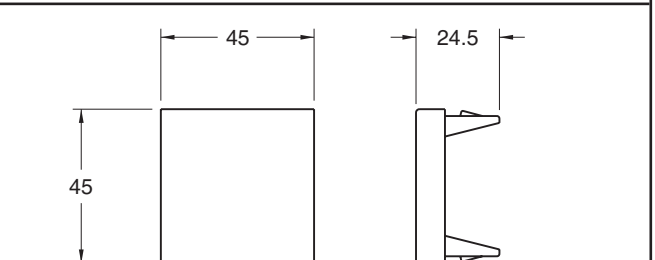
Cat. No. 79578

Page No. 85



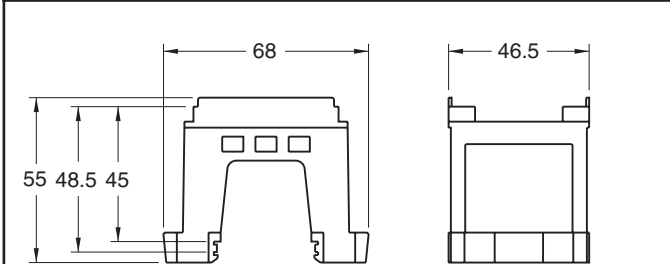
Cat. No. 79590x45

Page No. 98



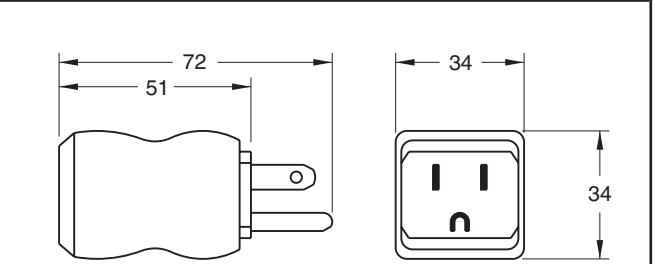
Cat. No. 79591x45

Page No. 98



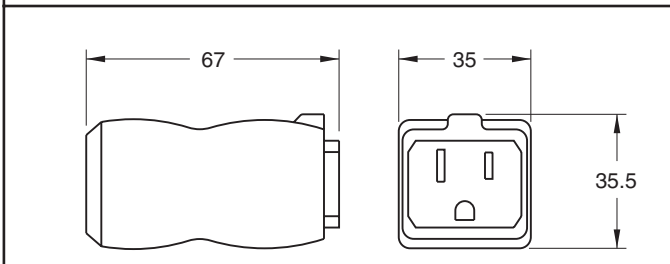
Cat. No. 79595x45

Page No. 98



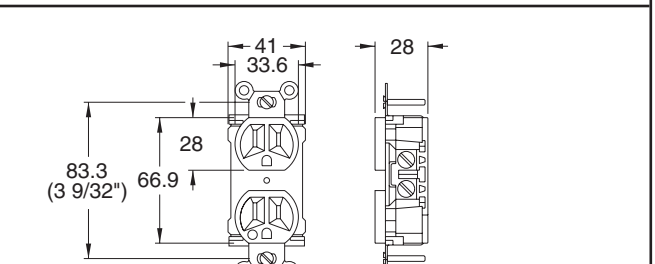
Cat. No. 8115

Page No. 154



Cat. No. 8119

Page No. 154



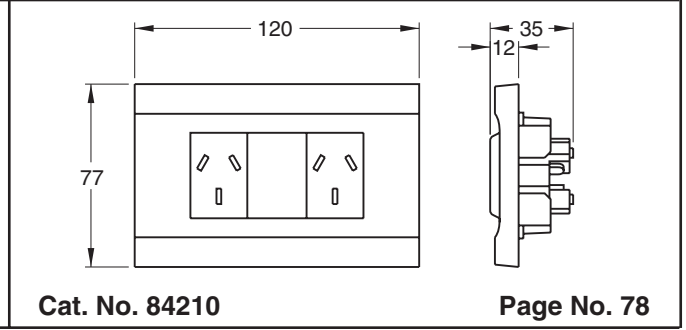
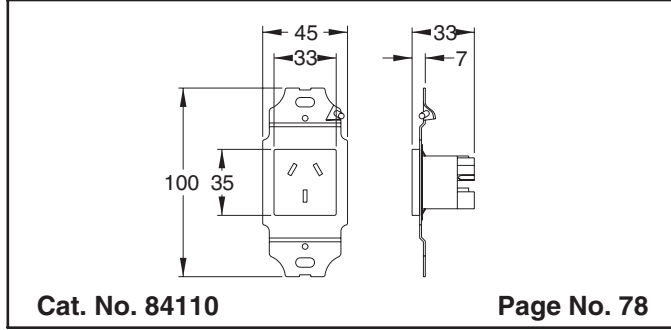
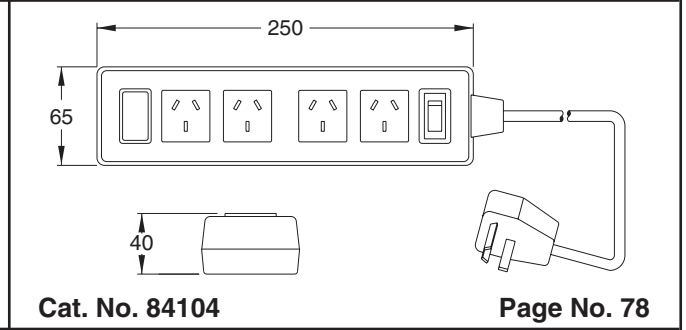
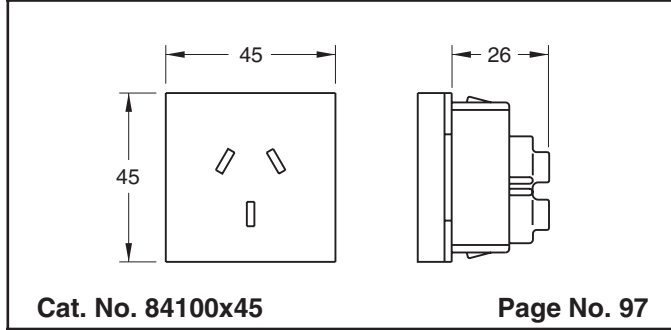
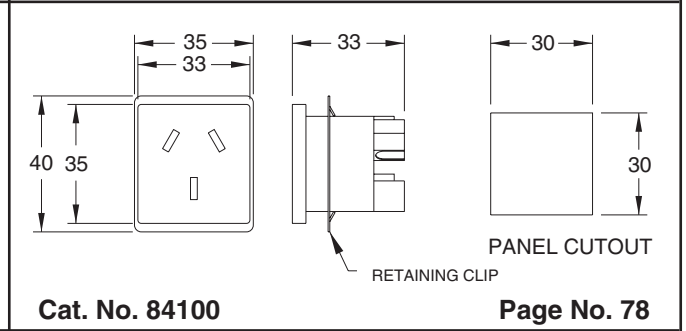
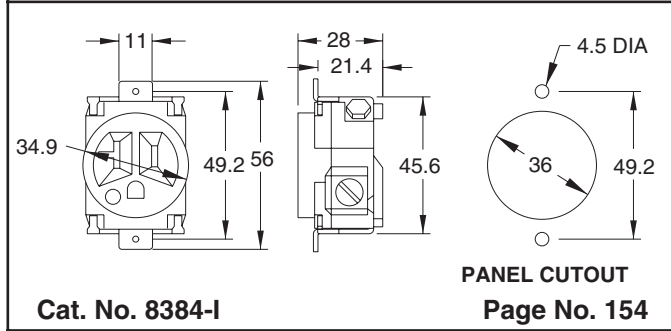
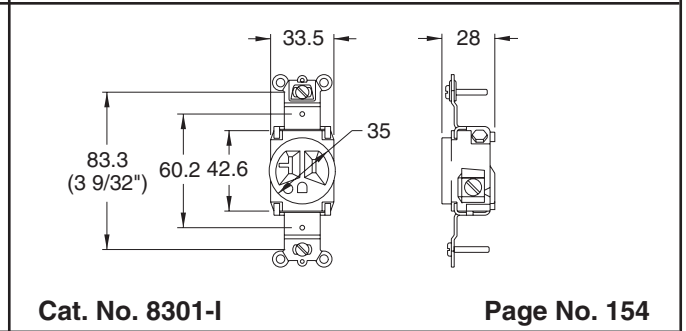
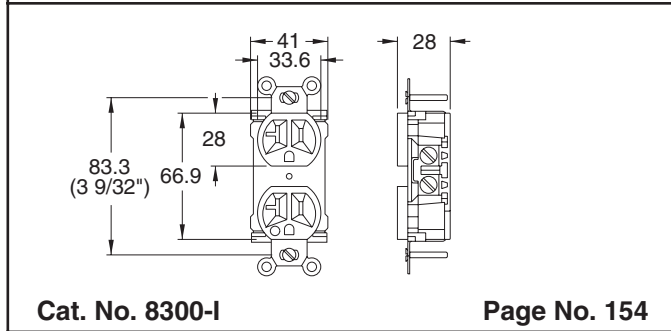
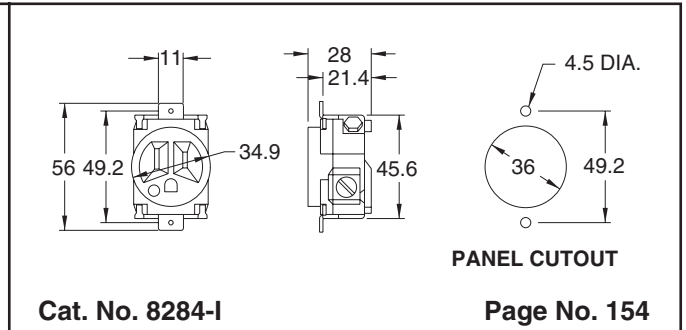
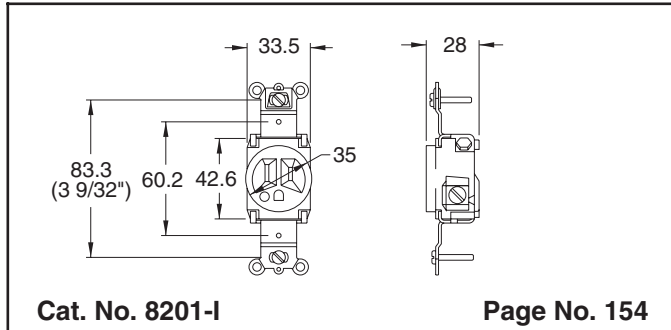
Cat. No. 8200-I

Page No. 154

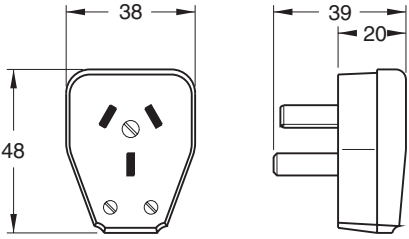
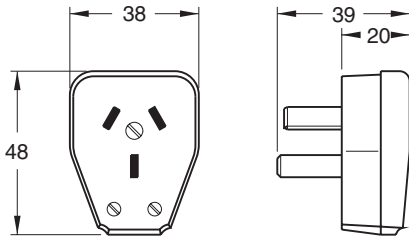
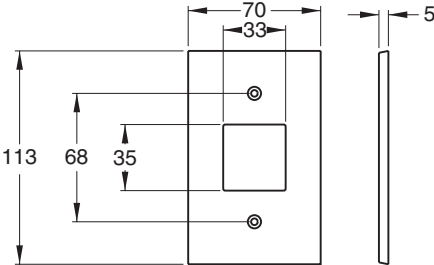
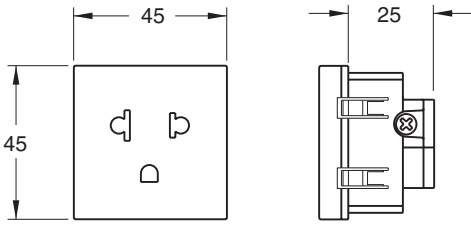
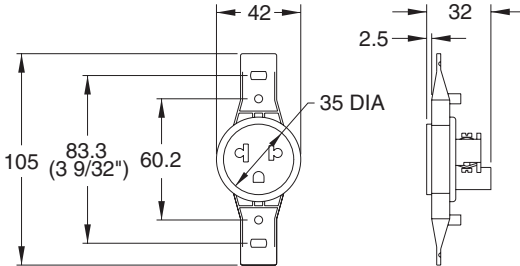
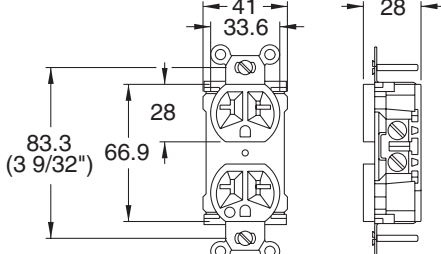
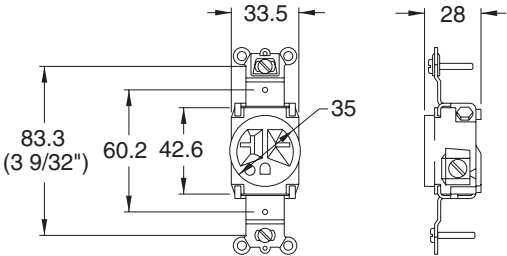
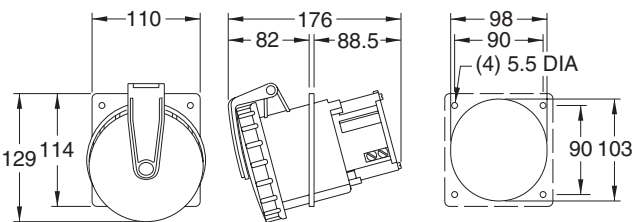
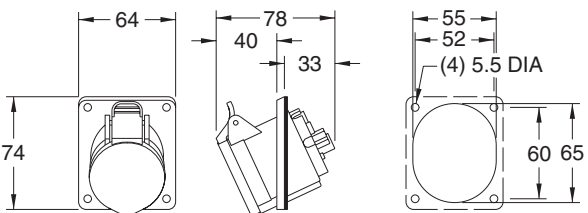
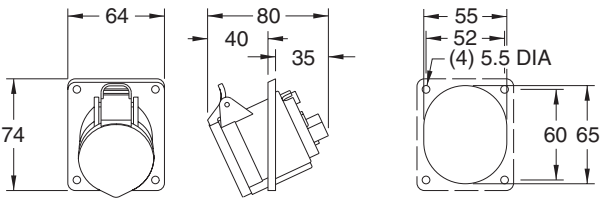


DIMENSIONAL DATA

All Dimensions Are In Millimeters
(1 mm = 0.039")



DIMENSIONAL DATA
All Dimensions Are In Millimeters
 (1 mm = 0.039")

 <p>Cat. No. 84250 Page No. 78</p>	 <p>Cat. No. 84250-BLK Page No. 78</p>
 <p>Cat. No. 84400 Page No. 78</p>	 <p>Cat. No. 85100x45 Page No. 97</p>
 <p>Cat. No. 85110 Page No. 84</p>	 <p>Cat. No. 8800-I Page No. 154</p>
 <p>Cat. No. 8801-I Page No. 154</p>	 <p>Cat. No. 888-12108 Page No. 175</p>
 <p>Cat. No. 888-1216 Page No. 176</p>	 <p>Cat. No. 888-1217 Page No. 170</p>



DIMENSIONAL DATA

All Dimensions Are In Millimeters
(1 mm = 0.039")

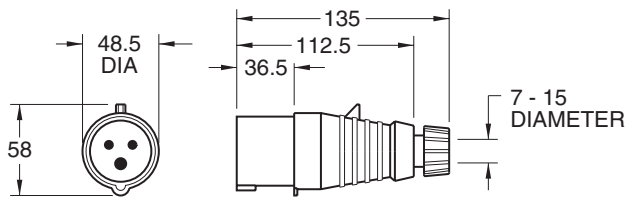
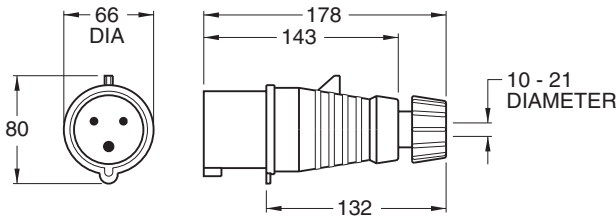
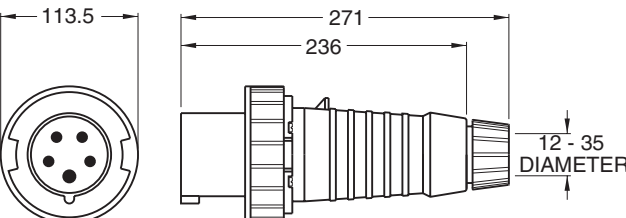
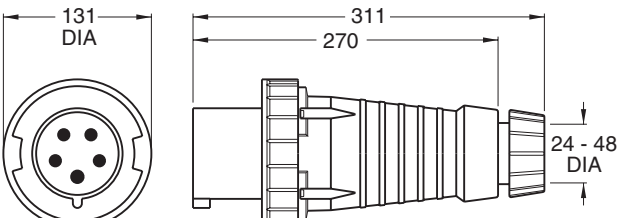
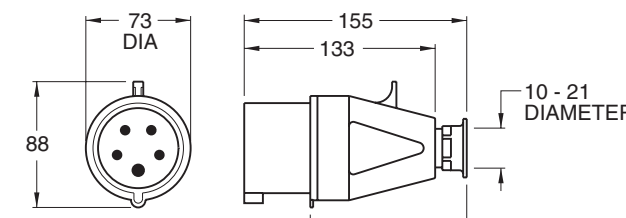
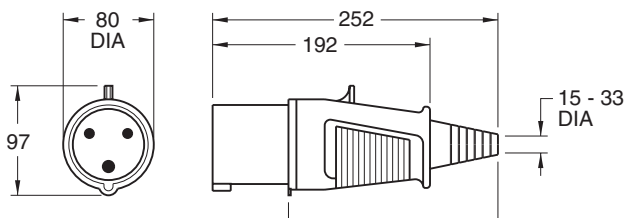
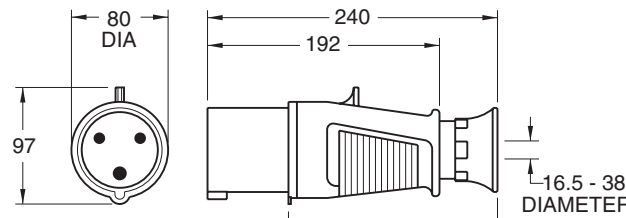
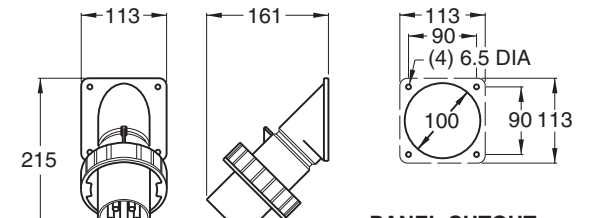
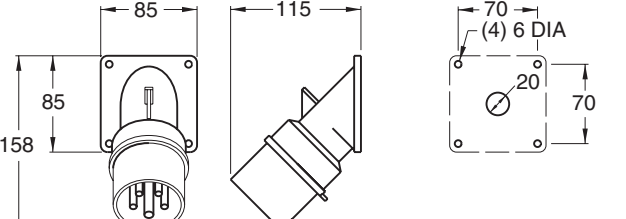
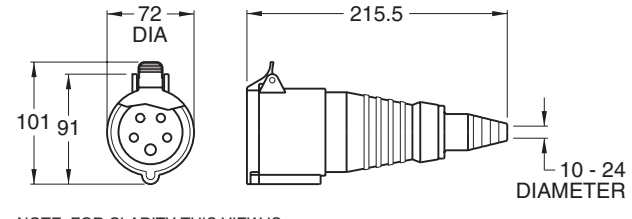
<p>Cat. No. 888-1228</p> <p>PANEL CUTOUT Page No. 176</p>	<p>Cat. No. 888-1229</p> <p>PANEL CUTOUT Page No. 171</p>
<p>Cat. No. 888-1239</p> <p>PANEL CUTOUT Page No. 173</p>	<p>Cat. No. 888-129</p> <p>PANEL CUTOUT Page No. 174</p>
<p>NOTE: FOR CLARITY THIS VIEW IS SHOWN WITH LIFT LID BROKEN</p> <p>Cat. No. 888-13007</p> <p>PANEL CUTOUT Page No. 171</p>	<p>Cat. No. 888-204</p> <p>Page No. 173</p>
<p>Cat. No. 888-21000</p> <p>Page No. 176</p>	<p>Cat. No. 888-21001</p> <p>Page No. 170</p>
<p>Cat. No. 888-21012</p> <p>Page No. 176</p>	<p>Cat. No. 888-21013</p> <p>Page No. 171</p>



DIMENSIONAL DATA

All Dimensions Are In Millimeters

(1 mm = 0.039")

 <p>Cat. No. 888-2126 Page No. 170</p>	 <p>Cat. No. 888-2138 Page No. 171</p>
 <p>Cat. No. 888-2189 Page No. 174</p>	 <p>Cat. No. 888-2199 Page No. 175</p>
 <p>Cat. No. 888-231 Page No. 173</p>	 <p>Cat. No. 888-260306 Page No. 172</p>
 <p>Cat. No. 888-261306 Page No. 172</p>	 <p>Cat. No. 888-27017 Page No. 174</p>
 <p>Cat. No. 888-2769 Page No. 173</p>	 <p>Cat. No. 888-304 Page No. 173</p>



DIMENSIONAL DATA

All Dimensions Are In Millimeters

(1 mm = 0.039")

NOTE: FOR CLARITY THIS VIEW IS SHOWN WITH LIFT LID BROKEN

Cat. No. 888-31000 **Page No. 176**

NOTE: FOR CLARITY THIS VIEW IS SHOWN WITH LIFT LID BROKEN

Cat. No. 888-31001 **Page No. 170**

NOTE: FOR CLARITY THIS VIEW IS SHOWN WITH LIFT LID BROKEN

Cat. No. 888-31012 **Page No. 176**

NOTE: FOR CLARITY THIS VIEW IS SHOWN WITH LIFT LID BROKEN

Cat. No. 888-31013 **Page No. 171**

NOTE: FOR CLARITY THIS VIEW IS SHOWN WITH LIFT LID BROKEN

Cat. No. 888-3124 **Page No. 174**

NOTE: FOR CLARITY THIS VIEW IS SHOWN WITH LIFT LID BROKEN

Cat. No. 888-3126 **Page No. 170**

NOTE: FOR CLARITY THIS VIEW IS SHOWN WITH LIFT LID BROKEN

Cat. No. 888-3138 **Page No. 171**

NOTE: FOR CLARITY THIS VIEW IS SHOWN WITH LIFT LID BROKEN

Cat. No. 888-3199 **Page No. 175**

NOTE: FOR CLARITY THIS VIEW IS SHOWN WITH LIFT LID BROKEN

Cat. No. 888-331 **Page No. 173**

NOTE: FOR CLARITY THIS VIEW IS SHOWN WITH LIFT LID REMOVED

Cat. No. 888-360306 **Page No. 172**



DIMENSIONAL DATA

All Dimensions Are In Millimeters

(1 mm = 0.039")

<p>NOTE: FOR CLARITY THIS VIEW IS SHOWN WITH LIFT LID REMOVED</p> <p>Cat. No. 888-361306 Page No. 172</p>	<p>NOTE: FOR CLARITY THIS VIEW IS SHOWN WITH LIFT LID BROKEN</p> <p>Cat. No. 888-410306 Page No. 170</p> <p>PANEL CUTOUT</p>
<p>NOTE: FOR CLARITY THIS VIEW IS SHOWN WITH LIFT LID REMOVED</p> <p>Cat. No. 888-460306 Page No. 172</p> <p>PANEL CUTOUT</p>	<p>NOTE: FOR CLARITY THIS VIEW IS SHOWN WITH LIFT LID REMOVED</p> <p>Cat. No. 888-560306 Page No. 172</p> <p>PANEL CUTOUT</p>
<p>Cat. No. 888-611306 Page No. 170</p> <p>PANEL CUTOUT</p>	<p>Cat. No. 888-611316 Page No. 176</p> <p>PANEL CUTOUT</p>
<p>Cat. No. 888-6136 Page No. 170</p> <p>PANEL CUTOUT</p>	<p>Cat. No. 888-6236 Page No. 171</p> <p>PANEL CUTOUT</p>
<p>Cat. No. 888-631306 Page No. 171</p> <p>PANEL CUTOUT</p>	<p>Cat. No. 888-631316 Page No. 176</p> <p>PANEL CUTOUT</p>



DIMENSIONAL DATA

All Dimensions Are In Millimeters
(1 mm = 0.039")

<p>Cat. No. 888-661306 Page No. 172</p>	<p>Cat. No. 888-679 Page No. 175</p>
<p>Cat. No. 89400 Page No. 84</p>	<p>Cat. No. 91730x45 Page No. 99</p>
<p>Cat. No. 91751x45 Page No. 99</p>	<p>Cat. No. 91772x45 Page No. 99</p>
<p>Cat. No. 92392 Page No. 200</p>	<p>Cat. No. 93091 Page No. 70</p>
<p>Cat. No. 93101 Page No. 155</p>	<p>Cat. No. 93191 Page No. 165</p>



DIMENSIONAL DATA

All Dimensions Are In Millimeters

(1 mm = 0.039")

Cat. No. 97120 **Page No. 61**

Cat. No. 999-1154210 **Page No. 202**

Cat. No. 999-1217 **Page No. 184**

Cat. No. 999-21001 **Page No. 180**

Cat. No. 999-21001-RA **Page No. 180**

Cat. No. 999-31001 **Page No. 182**

Cat. No. 999-31001-RA **Page No. 182**

Cat. No. 999-3120 **Page No. 202**

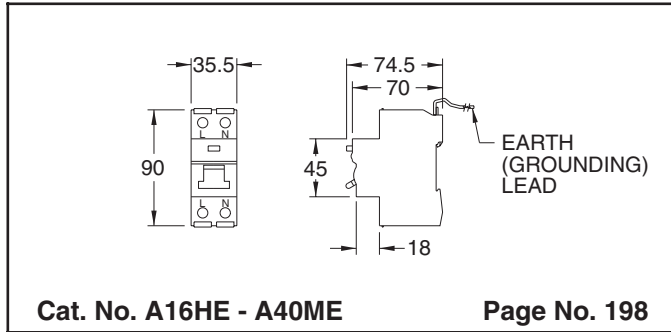
Cat. No. 999-3121 **Page No. 202**

Cat. No. 999-613 **Page No. 190**

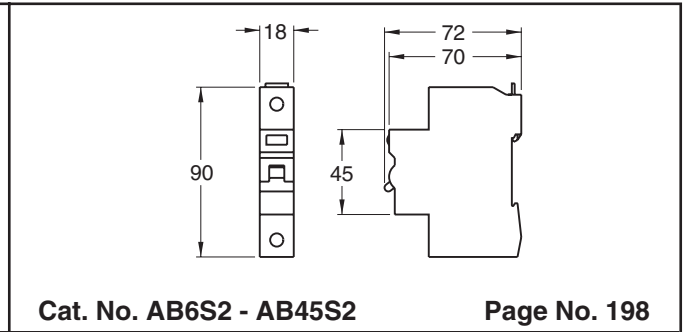


DIMENSIONAL DATA

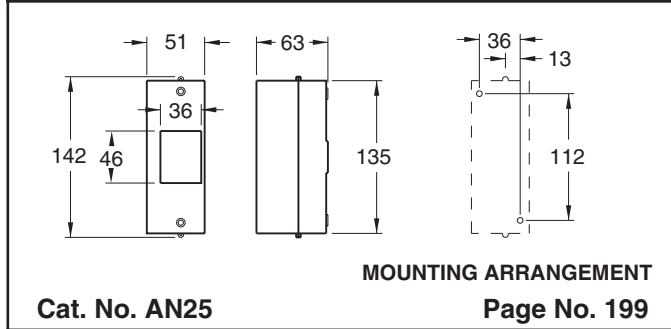
All Dimensions Are In Millimeters
(1 mm = 0.039")



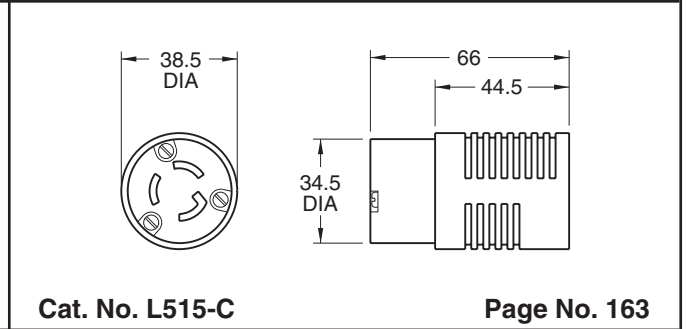
Cat. No. A16HE - A40ME Page No. 198



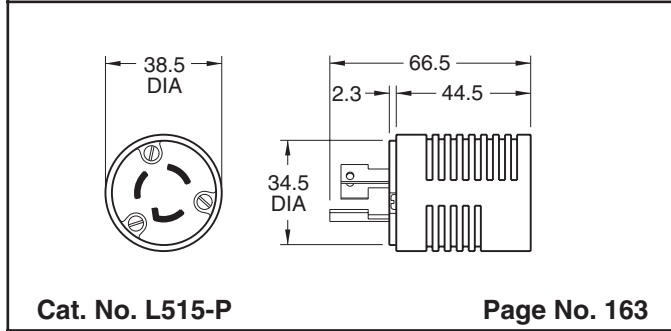
Cat. No. AB6S2 - AB45S2 Page No. 198



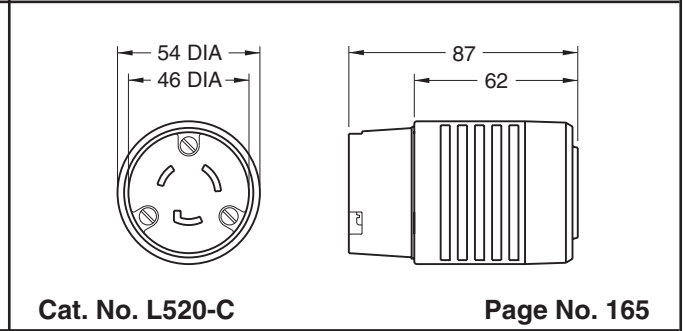
Cat. No. AN25 Page No. 199



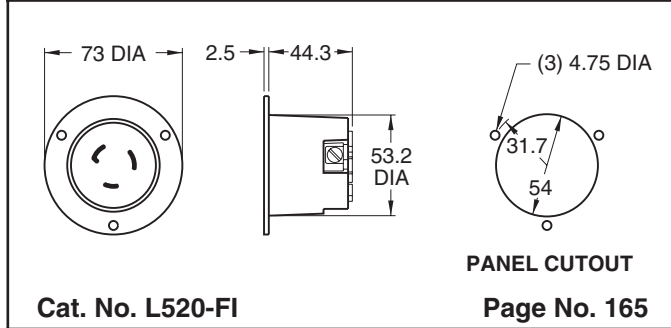
Cat. No. L515-C Page No. 163



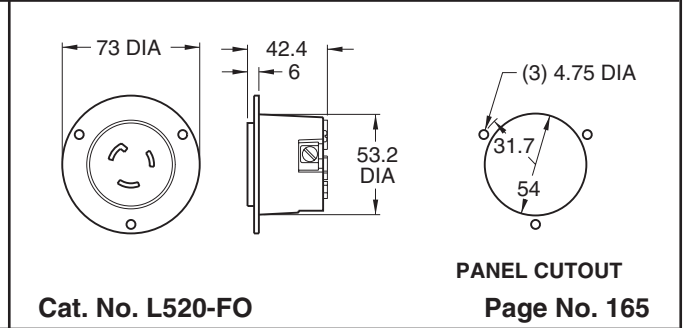
Cat. No. L515-P Page No. 163



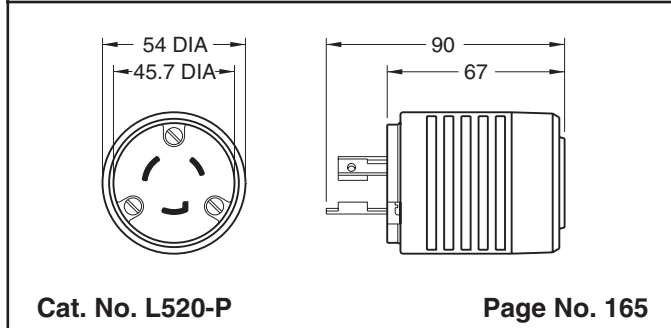
Cat. No. L520-C Page No. 165



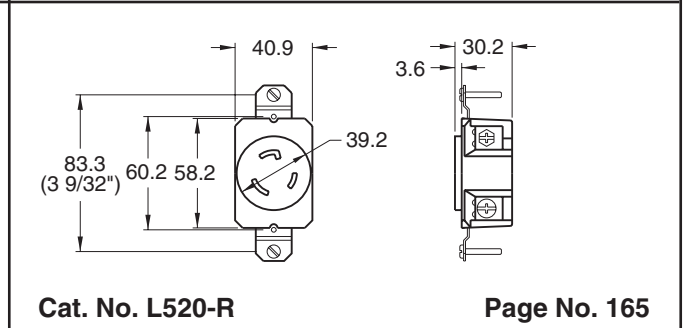
Cat. No. L520-FI Page No. 165



Cat. No. L520-FO Page No. 165



Cat. No. L520-P Page No. 165



Cat. No. L520-R Page No. 165



DIMENSIONAL DATA

All Dimensions Are In Millimeters

(1 mm = 0.039")

Cat. No. L530-C **Page No. 167**

Cat. No. L530-FI **Page No. 167**

PANEL CUTOUT

Cat. No. L530-FO **Page No. 167**

PANEL CUTOUT

Cat. No. L530-P **Page No. 167**

Cat. No. L530-R **Page No. 167**

Cat. No. L615-C **Page No. 164**

Cat. No. L615-FI **Page No. 164**

PANEL CUTOUT

Cat. No. L615-FO **Page No. 164**

PANEL CUTOUT

Cat. No. L615-P **Page No. 164**

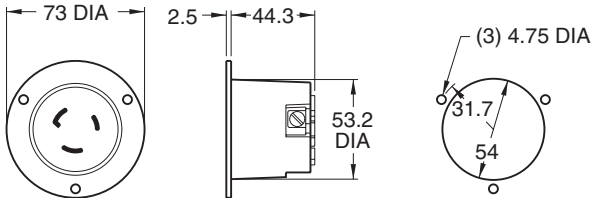
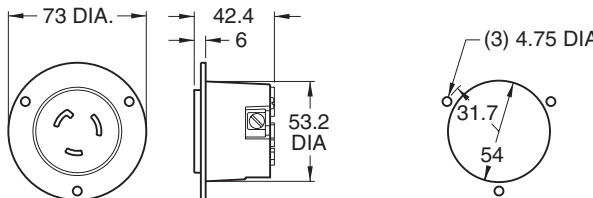
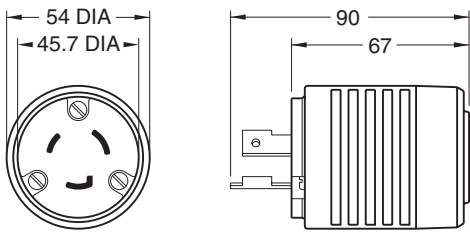
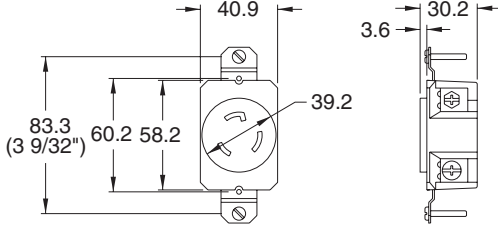
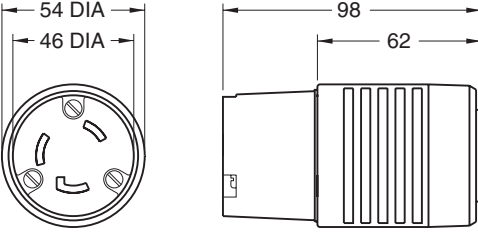
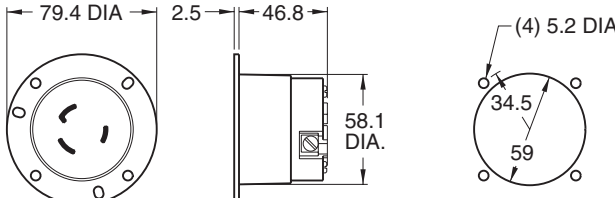
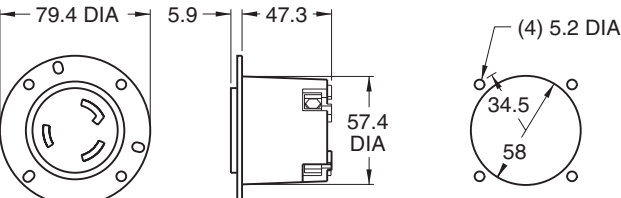
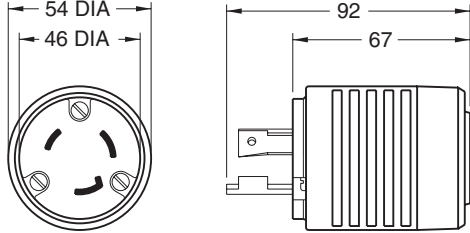
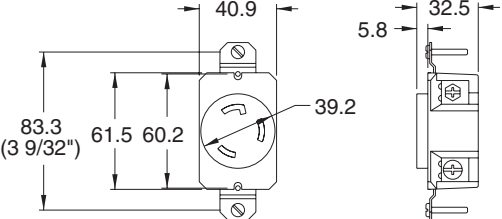
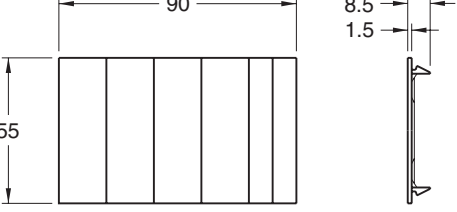
Cat. No. L620-C **Page No. 166**



DIMENSIONAL DATA

All Dimensions Are In Millimeters

(1 mm = 0.039")

 <p>Cat. No. L620-FI Page No. 166</p>	 <p>Cat. No. L620-FO Page No. 166</p>
 <p>Cat. No. L620-P Page No. 166</p>	 <p>Cat. No. L620-R Page No. 166</p>
 <p>Cat. No. L630-C Page No. 168</p>	 <p>Cat. No. L630-FI Page No. 168</p>
 <p>Cat. No. L630-FO Page No. 168</p>	 <p>Cat. No. L630-P Page No. 168</p>
 <p>Cat. No. L630-R Page No. 168</p>	 <p>Cat. No. QBP5 Page No. 199</p>



INDEX

Cat No.... Pg No.	Cat No.... Pg No.	Cat No.... Pg No.	Cat No.... Pg No.	Cat No.... Pg No.	Cat No.... Pg No.
006017 200	20509 44	30330 120	32150-SUS 124	39070 42	52955 74
007879 198	20511 44	30340 121	32200-EU 124	39071 42	52965 64
007886 198	20513 44	30340A 121	32200-SUS 124	39080 43	5296-BK 156
007887 198	20516 44	30350 121	32250-EU 124	39090 43	53326 70
007888 198	20521 44	30360 67	3232-I 155	39095 43	53328 109
007889 198	20529 44	30375 120	32350 125	4300.0701 155	53340 109
007890 198	20536 44	30375-G 120	32360 125	4300.0702 155	5342 159
12QEL 199	20542 44	30395 77	33100-D 126	4300.0703 155	5342-I 159
1491-008 61	20548 44	30500 82	33100-KT 126	4550 164	5351-I 159
1492-008 61	20607 44	30510 82	33125 126	4560 164	5358 159
1493-008 61	20609 44	30600 37	33125-D 126	4700 163	5358-I 159
1600103 205	20611 44	30605 37	33150-D 126	4710 163	5366-HGAN 154
1600104 205	20613 44	30610 37	33175-D 126	4715-SS 163	5366-SSAN 160
1600105 205	20616 44	30620 37	33200-D 126	4716-SS 163	5366-X 160
1600106 205	20621 44	30630 37	33225-D 126	4720-SSAN 163	5366-XHG 154
1600107 205	20629 44	30635 37	33250-D 126	4QEL 199	5369-X 160
1600108 205	20636 44	30640 37	33275-D 126	52019 106	5369-XHG 154
1600109 205	20642 44	30650 37	33300-D 126	52106 107	5374-BK 160
1600110 205	20648 44	30660 37	33325-D 126	52125 107	5378-SS 160
1600111 205	20707 44	30670 37	33375-D 126	52126 107	5379-SS 160
1600112 205	20709 44	30680 37	33400-D 126	52145 107	54406 72
1600113 205	20711 44	30685 37	33425-D 126	52150 107	54408 110
1600114 205	20713 44	30690 37	33450-D 126	52160 107	5466-SSAN 154
1600115 205	20716 44	30695 37	33475-D 126	52170 107	5466-X 162
1600116 205	20721 44	31600 40	33500-D 126	52205 67	5466-XHG 154
1600117 205	21707 44	31605 40	33525-D 126	5242 155	5469-X 162
1600118 205	21709 44	31610 40	33550-D 126	5242-I 155	5469-XHG 154
1600119 205	21711 44	31620 40	33575-D 126	5251-I 155	5478-SS 162
1600120 205	21713 44	31630 40	33625-D 126	5258 155	5479-SS 162
1600121 205	21716 44	31635 40	33650 126	5258-I 155	55506 108
1600122 205	21721 44	31640 40	33675-KT 126	5266-HGAN 154	56106 109
1600123 205	24QEL 199	31650 40	33700-D 126	5266-SSAN 156	56125 76
1600128 205	30100 116	31660 40	33725-D 126	5266-X 84	56205 77
1600129 205	30110 116	31670 40	33750-D 126	5266-XHG 154	56305 77
1600130 205	30120 117	31680 40	33775 126	5269-X 156	5642-I 157
1600131 205	30130 117	31685 40	33800-D 126	5269-XHG 154	56504 82
1601102 205	30140 118	31690 40	33825-D 126	52720 106	5651-I 157
1601103 205	30150 118	31695 40	34010-EU 125	52721 106	5658 157
1601106 205	30160 118	31700 40	34020-EU 125	52722 106	5658-I 157
1601109 205	30170 118	31705 40	34030-EU 125	5276-BK 156	5666-BK 158
1601111 205	30180 117	31710 40	34050-EU 125	52765-10 106	5666-SSAN 154
1601112 205	30181 119	31715 40	34080-EU 125	52765-30 106	5666-X 158
1601114 205	30182 119	32010-EU 124	34100-EU 125	5278-SS 156	5666-XHG 154
1601116 205	30190 119	32015-EU 124	34150-EU 125	5279-SS 156	5669-BK 158
1601119 205	30195 67	32020-EU 124	34200-EU 125	52855 106	5669-X 158
1601121 205	30200 116	32025-EU 124	38041 199	52855-A 106	5669-XHG 154
1601123 205	30210 69	32025-SUS 124	39016 24	52904 106	5678-SS 158
1601125 205	30220 116	32030-EU 124	39016-LA 24	52906 106	5679-SS 158
1601126 205	30225 119	32035-EU 124	39016-RA 24	52908 106	57011 134
1601129 205	30230 119	32035-SUS 124	39017 24	52910 106	57013 134
1601135 205	30240 69	32050-EU 124	39020 42	52912 106	57015 134
1601310 206	30250 117	32050-SUS 124	39021 42	52925 61	57021 143
1601312 206	30260 116	32075-EU 124	39030 42	52927 106	57023 143
1601314 206	30295 76	32075-SUS 124	39031 42	52929 106	57025 143
1601316 206	30300 120	32100-EU 124	39035 42	52931 106	57030 132
1601318 206	30301 120	32100-SUS 124	39041 42	52946 64	57030-A 132
20507 44	30320 120	32150-EU 124	39050 42	52948 64	57030-NSL 132



INDEX

Cat No....	Pg No.	Cat No....	Pg No.	Cat No....	Pg No.	Cat No....	Pg No.	Cat No....	Pg No.	Cat No....	Pg No.
57035	132	57355	142	60800	103	70150	60	72413	65	75140	72
57040	133	57411	138	60900	103	70155	65	72440	85	75160	72
57040-A	133	57423	138	61100	104	70155-BLK	65	72450	85	75500x45	96
57040-NSL	133	57425	138	61112	105	70161	60	72495	66	75520	72
57045	133	57510	139	61150	104	70170	60	73100x45	97	75530	73
57050	130	57520	139	61200	104	70180	60	73110	67	75540	73
57050-A	130	57530	139	61250	104	70190	60	73130	67	76100x45	96
57050-M	130	57540	139	61300	104	70195	60	73160	67	76101x45	96
57050-NS	130	57551	139	61350	104	70198	63	73210	67	76110	74
57050-NSL	130	57552	139	61400	104	70200x45	86	73310	68	76120	74
57055-M	128	57561	139	61450	104	70225	61	73330	68	76140	74
57055-NS	128	57562	139	61500	104	70225-30	61	73530	67	76143x45	96
57055-NSL	128	57571	139	61550	104	702708	200	73550	67	76160	74
57060-A	131	57572	139	61600	105	70300	62	73570	67	76510	75
57060-NS	131	57581	139	61650	105	70310	62	74100	70	76515	75
57060-NSL	131	57582	139	61700	105	70325	62	74100-BLK	70	76520	75
57065-NS	129	57610	135	61800	105	70325A	62	74105x45	97	76540	75
57065-NSL	129	57620	135	61900	105	70341	62	74110	70	76560	75
57070	128	57630	141	62100	113	70361	62	74110-BLK	70	77100x45	96
57070-A	129	57640	141	62150	113	70395	62	74120	70	77110	76
57075	131	5765-BK	160	62200	113	70400	88	74130	69	77115	76
57080	147	57701	144	62250	113	71100x45	96	74131	69	77130	76
57081	147	57702	144	62300	113	71110	64	74140	69	77140	76
57082	147	57703	144	62350	113	71120	64	74140-BLK	69	77160	76
57085	131	57705	144	62400	114	71161	63	74140-RCD	69	77190	76
57090	145	57710	136	681348	200	71170	63	74141	69	77197	77
57090-A	145	57715	136	681386	200	71200x45	87	74180	69	78120	77
57090-V	145	57720	137	681485	200	71225	64	74200	70	78130	77
57091	145	57725	137	69204	201	71225-30	64	74210	70	78140	77
57100	150	57730	149	69214	201	72100x45	96	74220	70	78160	77
57103	151	57735	149	69222	201	72105x45	97	74225	78	78230	77
57104	111	57740	148	69275	201	72110	66	74335	87	78500	82
57105	150	57745	148	69300	201	72110-BLK	66	74452x45	99	78510	82
57106	111	58104	110	70020	90	72120	66	74453x45	99	78510-HG	82
57107	150	58204	110	70100x45	96	72130	65	74456x45	99	78520	82
57108	111	5851-l	161	70110	61	72130-BLK	65	74457x45	99	78530	82
57110	146	5858	161	70110-BLK	61	72140	65	74458x45	99	78540	82
57110-V	146	5858-l	161	70110-RED	61	72140-RCD	65	74459x45	99	78550	82
57120	140	5862-l	161	70114	61	72141	65	74500	71	78560	82
57125	140	5864-BK	162	70115	61	72150	65	74505x45	97	78570	82
57130	140	5866-BK	162	70116	61	72160-BLK	65	74510	71	78600	83
57204	111	60100	102	70117	61	72215	66	74520	71	78605	83
57206	111	60112	103	70118	61	72220	66	74530	71	78610	83
57208	111	60150	102	70120	61	72300	66	74540	71	78620	83
57211	138	60200	102	70120-BLK	61	72300-D	66	74540-BLK	71	78630	83
57213	138	60250	102	70120-RED	61	72300-DSM	66	74541	71	79100x45	94
57215	138	60300	102	70125	61	72300-S	86	74560	69	79110x45	94
57311	134	60350	102	70127	64	72316	66	74560-BLK	69	79120x45	95
57313	134	60400	102	70130	60	72320	66	74600x45	80	79130x45	95
57315	134	60450	102	70130-BLK	60	72325	66	74615	80	79230x45	100
57320	140	60500	102	70130A	60	72350	81	74630	80	79235x45	100
57321	143	60550	102	70139	60	72355	85	74700x45	79	79240x45	100
57323	143	60600	103	70140	60	72360	81	74715	79	79245x45	100
57325	143	60620	201	70140-RCD	60	72365	85	74730	79	79250x45	100
57330	140	60650	103	70141	60	72403	65	74790	79	79255x45	100
57345	140	60684	201	70142	60	72405	65	75100x45	96	79260x45	100
57350	142	60700	103	70142A	60	72410	65	75130	72	79265x45	100



INDEX

Cat No....	Pg No.	Cat No....	Pg No.	Cat No....	Pg No.	Cat No....	Pg No.	Cat No....	Pg No.	Cat No....	Pg No.
79400	70	810970	205	82415	27	84240	24	888-21000	176	90030-RA	36
79410	70	810971	205	82420	27	84250	78	888-21001	170	90035	144
79510x45	98	810972	205	82425	27	84250-BLK	78	888-21012	176	90040	37
79520x45	98	810973	205	82430	27	84261	24	888-21013	171	90060	37
79530x45	98	810974	205	82435	27	84261-LA	24	888-2126	170	90075	36
79550x45	98	810975	205	82440	27	84261-RA	24	888-2138	171	90075-LA	36
79570x45	98	810976	205	82445	27	84295	25	888-2189	174	90075-RA	36
79575x45	98	81131	14	82450	27	84400	78	888-2199	175	90080	36
79578	85	81131-LA	14	82460	27	84640	25	888-231	173	90080-LA	36
79590x45	98	81131-RA	14	82465	27	84650	25	888-260306	172	90080-RA	36
79591x45	98	8115	154	82470	27	84661	25	888-261306	172	90085	36
79595x45	98	8119	154	82475	27	84671	25	888-27017	174	90085-LA	36
80101	14	81200	23	82480	27	84900	18	888-2769	173	90085-RA	36
80101-LA	14	81202	23	82485	27	84950	18	888-304	173	90090	36
80101-RA	14	81240	23	82490	27	85010	20	888-31000	176	90090-LA	36
80151	15	81250	23	82495	27	85040	20	888-31001	170	90090-RA	36
80151-LA	15	81260	23	82500	27	85050	20	888-31012	176	90175	36
80151-RA	15	81295	23	82505	27	85100X45	97	888-31013	171	90175-LA	36
80201	16	81300	29	82510	28	85101	20	888-3124	174	90175-RA	36
80201-LA	16	81300-LA	29	82515	28	85101-LA	20	888-3126	170	90180	36
80201-RA	16	81300-RA	29	82520	28	85101-RA	20	888-3138	171	90180-LA	36
80251	17	81340	29	82525	28	85110	84	888-3199	175	90180-RA	36
80251-LA	17	81350	29	82530	28	85150	20	888-331	173	90185	36
80251-RA	17	81360	29	82535	28	85900	24	888-360306	172	90185-LA	36
80301	18	81400	26	82540	28	85950	20	888-361306	172	90185-RA	36
80351	19	81400-LA	26	8284-I	154	86010	19	888-410306	170	90190	36
80401	21	81400-RA	26	82900	23	86040	19	888-460306	172	90190-LA	36
80450	26	81413	26	82950	26	86070	19	888-560306	172	90190-RA	36
80450-LA	26	81413-LA	26	8300-I	154	86071	19	888-611306	170	90200	14
80450-RA	26	81413-RA	26	8301-I	154	86071-LA	19	888-611316	176	90400	14
80452	26	81415	26	83040	16	86071-RA	19	888-6136	170	90511	39
80500	29	81415-LA	26	83070	16	86900	17	888-6236	171	90521	39
80500-LA	29	81415-RA	26	83100	16	86950	19	888-631306	171	90530	38
80500-RA	29	81440	26	83221	16	87010	17	888-631316	176	90540	38
80551	30	81450	26	83221-LA	16	87040	17	888-661306	172	90545	38
80551-LA	30	81460	26	83221-RA	16	87070	17	888-679	175	90575	39
80551-RA	30	81520	15	8384-I	154	87101	17	88950	21	90611	39
80560	30	81520-RUS	15	83900	16	87101-LA	17	89010	22	90621	39
80601	30	81550	15	83950	16	87101-RA	17	89040	22	90630	38
80601-LA	30	81550-RUS	15	83975	24	87950	17	89050	22	90635	38
80601-RA	30	81580	15	84010	18	8800-I	154	89071	22	90640	38
80650	23	81580-RUS	15	84010-CL	18	88010	21	89071-LA	22	90645	38
80660	30	81641	15	84040	18	8801-I	154	89071-RA	22	90665	39
80900	26	81641-LA	15	84040-CL	18	88040	21	89075	22	90670	39
81010	14	81641-LA-RUS	15	84100	78	88070	21	89400	84	90675	39
81040	14	81641-RA	15	84100X45	97	88111	21	89950	22	90711	39
810616	205	81641-RA-RUS	15	84104	78	88111-LA	21	90015	36	90721	39
810617	205	81641-RUS	15	84110	78	88111-RA	21	90015-LA	36	90730	38
810618	205	81900	14	84161	18	888-12108	175	90015-RA	36	90735	38
810675	205	81950	14	84161-CL	18	888-1216	176	90020	36	90740	38
810676	205	81953	15	84161-LA	18	888-1217	170	90020-LA	36	90745	38
81070	14	8200-I	154	84161-LA-CL	18	888-1228	176	90020-RA	36	90750	39
810965	205	8201-I	154	84161-RA	18	888-1229	171	90025	36	90755	39
810966	205	82070	18	84161-RA-CL	18	888-1239	173	90025-LA	36	90760	39
810967	205	82400	27	84195	25	888-129	174	90025-RA	36	90800	31
810968	205	82405	27	84210	78	888-13007	171	90030	36	90815	31
810969	205	82410	27	84220	24	888-204	173	90030-LA	36	90825	31



INDEX

Cat No.... Pg No.	Cat No.... Pg No.	Cat No.... Pg No.	Cat No.... Pg No.	Cat No.... Pg No.	Cat No.... Pg No.
90850 31	999-1043 189	999-1221 184	999-1408 187	999-244 194	999-3167 183
90900 32	999-110 188	999-1226 184	999-14324 190	999-245 194	999-3168 183
90950 32	999-111 188	999-1227 184	999-14334 190	999-246 194	999-3169 183
91730x45 99	999-1111 188	999-1228 184	999-15334 190	999-248 194	999-3170 183
91751x45 99	999-1112 189	999-1229 184	999-203 180	999-249 194	999-3172 183
91772x45 99	999-1113 188	999-1230 184	999-203-RA 180	999-27004 193	999-3173 183
91915 31	999-1114 188	999-1232 184	999-204 180	999-27005 193	999-3178 183
91925 31	999-1115 188	999-1233 184	999-21000 180	999-27006 193	999-3179 183
92392 200	999-1117 188	999-1238 184	999-21001 180	999-27007 193	999-3180 183
92900 32	999-1118 188	999-1239 184	999-21001-RA 180	999-27010 193	999-3181 183
93091 70	999-112 188	999-1265 186	999-21002 180	999-27011 193	999-3184 183
93101 155	999-1123 188	999-1266 186	999-21004 180	999-27016 193	999-3185 183
93191 165	999-1124 188	999-1267 186	999-21005 180	999-27017 193	999-3188 183
93900 32	999-1126 188	999-1275 186	999-21010 180	999-2705 192	999-3190 183
94920 33	999-1127 188	999-1276 186	999-21012 180	999-2706 192	999-3191 183
94940 33	999-1130 188	999-1287 186	999-21013 180	999-2709 192	999-3194 183
94950 33	999-1132 189	999-1288 186	999-21014 180	999-2735 193	999-3195 183
94960 33	999-1133 189	999-129 186	999-21016 180	999-2736 193	999-3198 183
96700 203	999-1134 189	999-1299 186	999-21017 180	999-2739 193	999-3199 183
96800 203	999-1136 189	999-13000 185	999-21022 180	999-2740 193	999-3227 189
97120 61	999-1137 189	999-13001 185	999-2156 181	999-2744 193	999-32429 187
97500 203	999-114 188	999-13002 185	999-2157 181	999-2751 192	999-3339 187
97510 203	999-1142 189	999-13004 185	999-2158 181	999-2756 192	999-3439 187
98216 34	999-1148 189	999-13005 185	999-2160 181	999-2757 192	999-3459 187
98220 34	999-1149 189	999-13006 185	999-2161 181	999-2758 192	999-41426 186
98226 34	999-115 188	999-13007 185	999-2166 181	999-2759 192	999-41429 186
98230 34	999-1154 189	999-13008 185	999-2167 181	999-2762 192	999-42324 186
98276 34	999-1154210 ... 202	999-13010 185	999-2168 181	999-2763 192	999-42326 186
98280 34	999-1155 189	999-13011 185	999-2169 181	999-2768 192	999-42329 186
98285 34	999-1156 189	999-13023 187	999-2170 181	999-2769 192	999-42426 186
98290 34	999-1157 189	999-13024 187	999-2172 181	999-2792 193	999-42429 186
98376 34	999-1160 189	999-13025 187	999-2173 181	999-2793 193	999-4339 186
98380 34	999-1161 189	999-13028 187	999-2178 181	999-303 182	999-4439 186
98385 34	999-1164 189	999-1305 185	999-2179 181	999-304 182	999-5334 195
98390 34	999-1166 189	999-13100 187	999-2180 181	999-31000 182	999-5336 195
98515 35	999-1167 189	999-13103 187	999-2181 181	999-31001 182	999-5337 195
98520 35	999-1170 189	999-13104 187	999-2184 181	999-31001-RA 182	999-5338 195
98525 35	999-1171 189	999-1323 185	999-2185 181	999-31002 182	999-5339 195
98545 35	999-1175 189	999-1324 185	999-2188 181	999-31004 182	999-5434 195
98550 35	999-1200 186	999-1332 185	999-2189 181	999-31005 182	999-5436 195
98555 35	999-12000 186	999-1333 185	999-2190 181	999-31010 182	999-5440 195
98575 35	999-12001 186	999-136 185	999-2191 181	999-31012 182	999-5441 195
98580 35	999-1201 184	999-1369 187	999-2194 181	999-31013 182	999-5442 195
98585 35	999-1202 184	999-1370 187	999-2195 181	999-31014 182	999-5446 195
98615 35	999-1205 186	999-1371 187	999-2198 181	999-31016 182	999-5449 195
98620 35	999-1206 186	999-1372 187	999-2199 181	999-31017 182	999-613 190
98625 35	999-1207 184	999-1373 187	999-2339 183	999-31022 182	999-6134 190
98645 35	999-1208 184	999-1376 187	999-2414 194	999-3120 202	999-6136 190
98650 35	999-12100 186	999-1381 187	999-2415 194	999-3121 202	999-6139 190
98655 35	999-12103 186	999-1382 187	999-2416 194	999-3124 183	999-614 190
98675 35	999-12104 186	999-1395 187	999-2417 194	999-31429 187	999-6146 190
98680 35	999-12107 186	999-1396 187	999-2418 194	999-3156 183	999-6149 190
98685 35	999-12108 186	999-1399 187	999-2420 194	999-3157 183	999-615 190
999-0339 181	999-1216 184	999-1400 187	999-2421 194	999-3158 183	999-6159 190
999-0439 181	999-1217 184	999-1402 187	999-2426 194	999-3160 183	999-623 190
999-102 188	999-1218 184	999-1404 187	999-2427 194	999-3161 183	999-6234 190
999-103 188	999-1220 184	999-1406 187	999-2439 183	999-3166 183	999-6236 190



INDEX

Cat No.... Pg No.	Cat No.... Pg No.	Cat No.... Pg No.	Cat No.... Pg No.	Cat No.... Pg No.	Cat No.... Pg No.
999-6246 190	L520-C 165				
999-6249 190	L520-FI 165				
999-625 190	L520-FO 165				
999-6256 190	L520-P 165				
999-6259 190	L520-R 165				
999-6334 191	L530-C 167				
999-6336 191	L530-FI 167				
999-6339 191	L530-FO 167				
999-6346 191	L530-P 167				
999-6349 191	L530-R 167				
999-635 190	L615-C 164				
999-6356 191	L615-FI 164				
999-6359 191	L615-FO 164				
999-6434 191	L615-P 164				
999-6436 191	L620-C 166				
999-6439 191	L620-FI 166				
999-6446 191	L620-FO 166				
999-6449 191	L620-P 166				
999-645 191	L620-R 166				
999-6456 191	L630-C 168				
999-6459 191	L630-FI 168				
999-71324 193	L630-FO 168				
999-71326 193	L630-P 168				
999-71329 193	L630-R 168				
999-7139 192	QBP5 199				
999-71426 193					
999-71429 193					
999-7156 190					
999-72324 193					
999-72326 193					
999-72329 193					
999-7239 192					
999-72426 193					
999-72429 193					
999-7339 193					
999-7439 193					
999-7459 193					
A16HE 198					
A16UE 198					
A25HE 198					
A25ME 198					
A32HE 198					
A32ME 198					
A40HE 198					
A40ME 198					
AB10S2 198					
AB16S2 198					
AB20S2 198					
AB32S2 198					
AB40S2 198					
AB45S2 198					
AB6S2 198					
AH30 198					
AH100 198					
AN25 199					
AS14 199					
AS14F 199					
AS19 199					
AS19F 199					
L515-C 163					
L515-P 163					



TERMS AND CONDITIONS OF SALES

1. Shipments

Shipments, deliveries, payment terms and performance of work shall at all times be subject to the approval of the seller. The seller may, at any time, decline to make any shipment or delivery or perform any work except upon receipt of payment or security or upon terms and conditions satisfactory to the seller.

2. Prices

All prices quoted by the seller are net. List prices are subject to change without notice. Prices stated on this form are contingent upon acceptance of delivery by the buyer of all goods subject to this order within six (6) months and can be increased or decreased at the seller's option upon ninety (90) days' written notice by the seller. Subject to section 1, the seller's payment terms are net thirty (30) days, from the date of invoice. Pursuant to Connecticut law, a charge of one and one-half percent (1-1/2%) per month is made on the past due balance of any account in order to reimburse the seller for estimated administrative and other costs associated with delinquent accounts. The buyer agrees that such a charge is reasonable in the light of the anticipated or actual harm caused by reason of the Buyer's delinquency, the difficulties of proof of loss, and the inconvenience or nonfeasibility of the seller otherwise obtaining a remedy. The buyer further agrees that such a charge is not an agreement, express or implied, to give further time for payment.

3. Taxes

The Buyer shall promptly pay any taxes which the seller may be required to pay or collect under any existing or future law for the account of the Buyer. Connecticut sales tax shall be added to shipments made within Connecticut unless a valid resale certificate has been filed with the Seller.

4. Costs

All transportation costs, insurance charges, payment convenience fees, currency exchange fees, export documentation cost, handling cost, priority processing fees and miscellaneous cost shall be invoiced to the buyer. F.O.B. point is Enfield, Connecticut. The Seller reserves the right to ship by carrier of its discretion unless otherwise specified by the buyer.

5. Rush Orders

Orders placed for same day shipment are subject to a service charge.

6. Warranty

If the goods furnished to the Buyer shall fail, due to defective material or workmanship, within one (1) year from the date of shipment, the Seller shall replace such non-conforming goods or repair such non-conforming goods without charge to the buyer. This warranty does not apply if the goods have been damaged by accident, abuse, misuse, modification or misapplication; by damage during shipment; or by improper service. The foregoing warranty is exclusive and NO OTHER WARRANTY, WHETHER EXPRESSED, IMPLIED, OR STATUTORY, INCLUDING ANY WARRANTY OF MERCHANTABILITY OR FITNESS FOR A GENERAL OR PARTICULAR PURPOSE OR DESIGN SHALL EXIST IN CONNECTION WITH ANY OF THE GOODS SUPPLIED HEREUNDER. AND ALL SUCH WARRANTIES ARE HEREBY EXPRESSLY EXCLUDED. This warranty allocates the risk of the failure of goods between the Seller and the Buyer as authorized by applicable law. No employee, agent, dealer, or other person is authorized to give any warranties on behalf of the Seller or to assume for the Seller any other liability in connection with any of its goods except in writing and signed by an officer of the Seller. Although the Seller makes every effort to ensure the accuracy of specifications at the time of publication, specifications for products described in this publication are subject to change without notice. The Seller makes no representation that the goods comply with any present or future international, federal, state or local regulation or ordinance. Compliance is the Buyer's responsibility. The use of the Seller's goods should be in accordance with the provision of the national Electric Code, U.L., and/or other industry, military or international standards that are pertinent to the particular end use. Installation or use not in accordance with these codes and standards could be hazardous.

7. Claims

All goods shall be inspected by the Buyer when received, and every claim on account of defective material, workmanship, or shortages, or for any other cause, shall be deemed waived by the Buyer, unless made in writing and received by the Seller within thirty (30) days from the date of receipt of such goods to which such claim relates. Upon receipt of such claim, the Seller shall be given a reasonable opportunity to inspect such goods. No goods shall be returned to the Seller without the Seller's written authorization. Returned goods shall be subject to a restocking charge, F.O.B. destination and prepaid. The Seller reserves the right to overship or undership by 5% on NON-STOCK items. No claim of any kind, whether as to goods delivered or for non-delivery of goods, shall be greater in amount than the purchase price of the goods in respect of which such damages are claimed.

8. Change Orders

Seller shall accept at its sole discretion, any order changes and cancellation (up to 30 days prior to shipment) of standard items for which a ready market exists and/or for items, which the order has not yet been issued with the overseas supplier. Cancelled orders shall be subject to a cancellation charge.

9. Cancellations

Scheduled orders are non-cancellable. However, Seller will consider a request for cancellation if the product is not already in Seller's stock, en route from manufacturer's factory, or in production at time of Buyer's request.

10. Damages

IT IS EXPRESSLY AGREED THAT SECTION 6 STATES THE BUYER'S SOLE AND EXCLUSIVE REMEDY for any breach of warranty and for claim for personal injury, property damage or commercial loss, whether sounding in contract, tort, strict liability or negligence, based on any defect on any goods of the Seller. Without limiting the generality of the preceding sentence, it is expressly agreed that the SELLER SHALL NOT BE RESPONSIBLE FOR ANY DIRECT, INDIRECT, INCIDENTAL, SPECIAL, OR CONSEQUENTIAL DAMAGES WHATSOEVER, including any labor or other costs, incurred by the buyer as a result of such defect or incident to the repair or replacement, or inability to use, any good.

11. Force Majeure

The Seller shall be excused for any delay in performance due to acts of God, war, riot, embargoes, acts of civil or military authorities, fires, floods, accidents, quarantine restrictions, strikes, differences with workmen, delays in transportation, shortage of fuel, labor or materials, or any circumstantial cause beyond the control of the Seller in the reasonable conduct of business.

12. Modification of Agreement

This agreement cannot be modified in any way, except in writing, signed by the parties herein.

13. Waiver

Waiver by the Seller of a breach of any of the terms and conditions set forth above shall not be construed as a waiver of any other or subsequent breach.

14. Governing Law

Connecticut law governs this transaction.

15. Collection Costs

In the event the Buyer defaults in the terms of payment, the Seller may recover from the buyer all costs of collection, including without limitation reasonable attorneys' fees, whether or not such collection includes the commencement of a lawsuit.

16. Terms and Conditions

The Seller accepts orders only upon the foregoing terms and conditions, which shall prevail notwithstanding any variance with the terms and conditions of any order submitted by the Buyer. Acceptance of delivery of goods shall be deemed agreement herewith by the Buyer.

17. Technical change rights reserved

